



**WHERE  
PRECISION  
DRIVES  
PRODUCTION**



## **FC100-MC STAINLESS STEEL DISPENSING VALVE**

### **VALVE SPECIFICATIONS**

**Dimensions:**

171.5 mm x 19 mm x 19 mm  
(6.75 in x 0.75 in x 0.75)

**Weight:**

7 oz

**Viscosity Range:**

1 cps – Paste

**Operating Air Pressure:**

60 – 100 psi

**Maximum Inlet Fluid Pressure:**

3500 psi

**Wetted Components:**

Stainless steel, Teflon®, Kalrez®

The FC100-MC is a versatile dispensing valve for single-component bead, dot, potting, or encapsulation projects. The FC100-MC features a lightweight, compact design that makes it an ideal choice for any automated or handheld process. Improving upon the traditional FC100 valve design, the FC100-MC features a micrometer flow adjustment that makes fine tuning of your process easier than ever. The FC100-MC is compatible with all PVA automated platforms.

The FC100-MC has many integrated features including:

- ▲ 300 series stainless steel fluid body for superior material compatibility
- ▲ Micrometer flow adjustment with lock nut
- ▲ Divorced valve design prevents material contamination of the air section
- ▲ Reversible valve seat
- ▲ Spring-assisted valve closure for reliable cycle stops
- ▲ Compatible with all Luer-Lok™ needle tip designs
- ▲ High inlet pressure rating allows for processing of viscous chemistries

For more information on PVA's dispensing capabilities, please contact one of our sales representatives at (518) 371-2684.

PVA also offers the following products to improve your dispensing application:

**FC100**

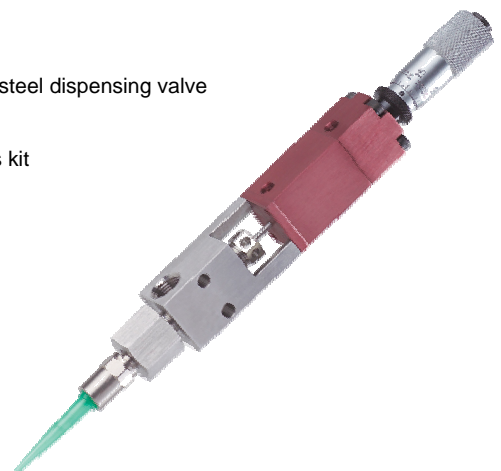
Stainless steel front closing dispensing valve with standard flow adjustment

**FC300**

High volume stainless steel dispensing valve

**FC1-MC-SP**

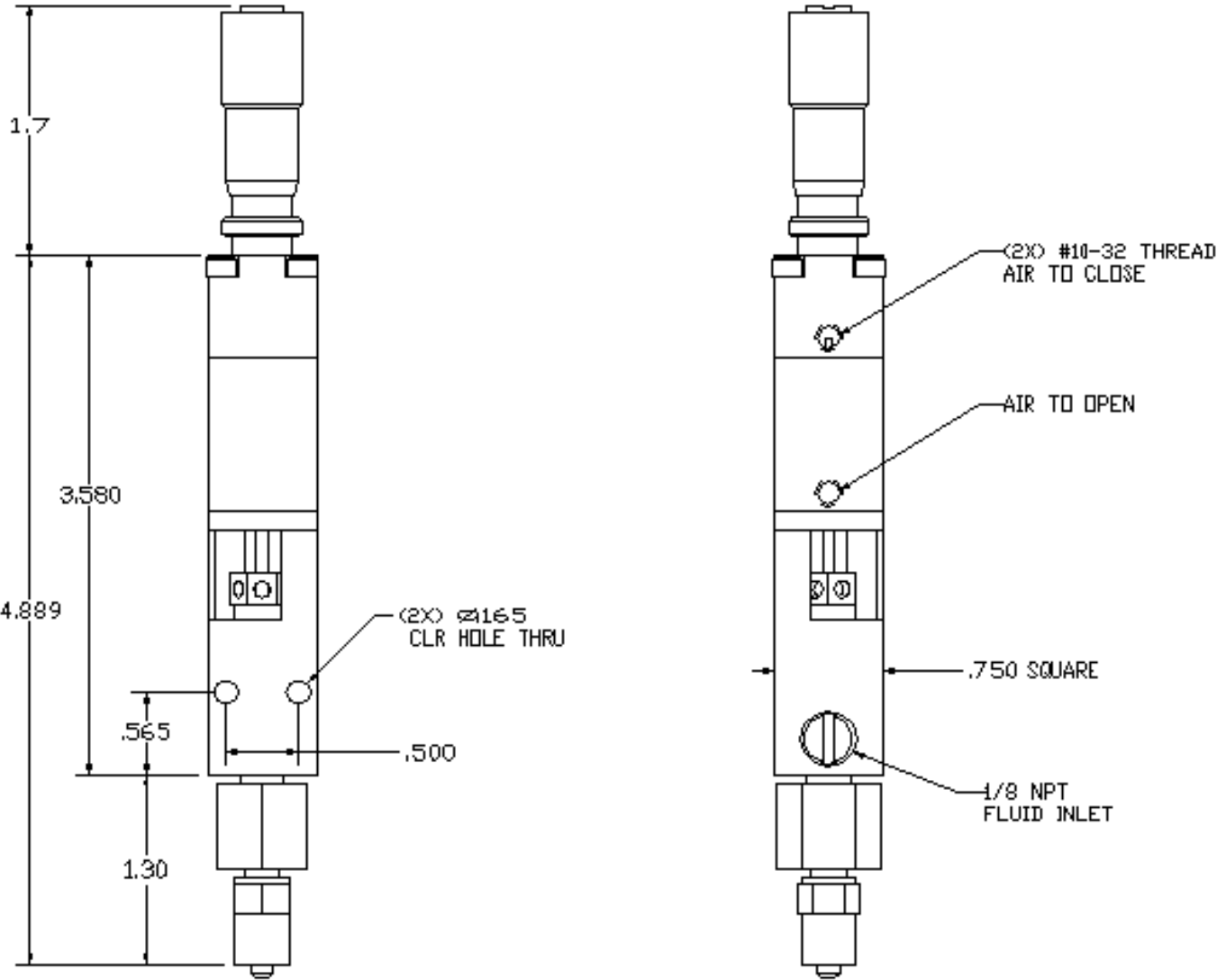
FC100-MC spare parts kit



15 Solar Drive  
Halfmoon NY 12065  
tel 518 371 2684  
fx 518 371 2688  
www.pva.net

Luer Lok™ is a Becton Dickinson and Co. trademark.  
Teflon® and Kalrez® are registered trademarks of Dupont.

# FC100-MC Mounting Dimensions



All dimensions provided in inches