



**WHERE
PRECISION
DRIVES
PRODUCTION**



MV400 Shot Size Range:
0.15 cc to 3.0 cc

VALVE SPECIFICATIONS

Dimensions:
229.11 mm x 121.16 mm x 41.4 mm
(9.02 in x 4.77 in x 1.63 in)

Weight:
3 lbs

Viscosity Range:
1 cps – Paste

Operating Air Pressure:
80 – 100 psi

Maximum Inlet Fluid Pressure:
350 psi

Wetted Components:
Stainless steel, Polyethylene, Kalrez®, Teflon®

MV400 POSITIVE DISPLACEMENT DISPENSING VALVE

The MV400 is a true positive displacement metering valve capable of dispensing deposits of material in a highly accurate process. The deposit volume is determined by the metering cylinder's stroke adjustment setting and is not affected by variations in viscosity or material pressure. The MV400 is compatible with all PVA automated platforms.

The MV400 has many integrated features including:

- ▲ 0.15 cc to 3.0 cc shot size
- ▲ Divorced valve design prevents material contamination of the air section
- ▲ Inlet and outlet check valves provide precise metering of material
- ▲ Adjustable dispense rate
- ▲ Adjustable stroke permits shot size modification
- ▲ Stainless steel fluid section for optimum material compatibility
- ▲ Custom metering cylinders available for larger shot sizes

For more information on PVA's dispensing capabilities, please contact one of our sales representatives at (518) 371-2684.

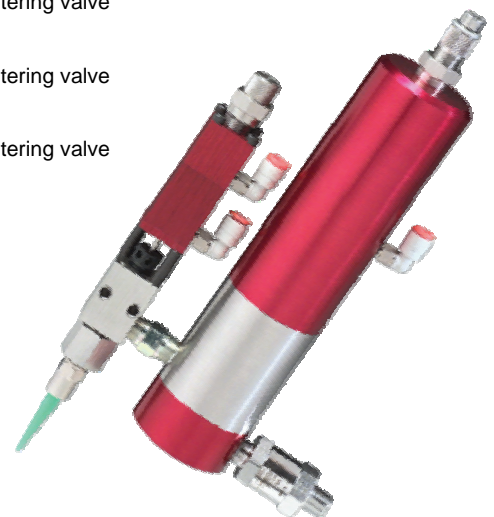
PVA also offers the following products to improve your dispensing application:

MV4-SP
MV400 spare parts kit

MV100
Positive displacement metering valve

MV200
Positive displacement metering valve

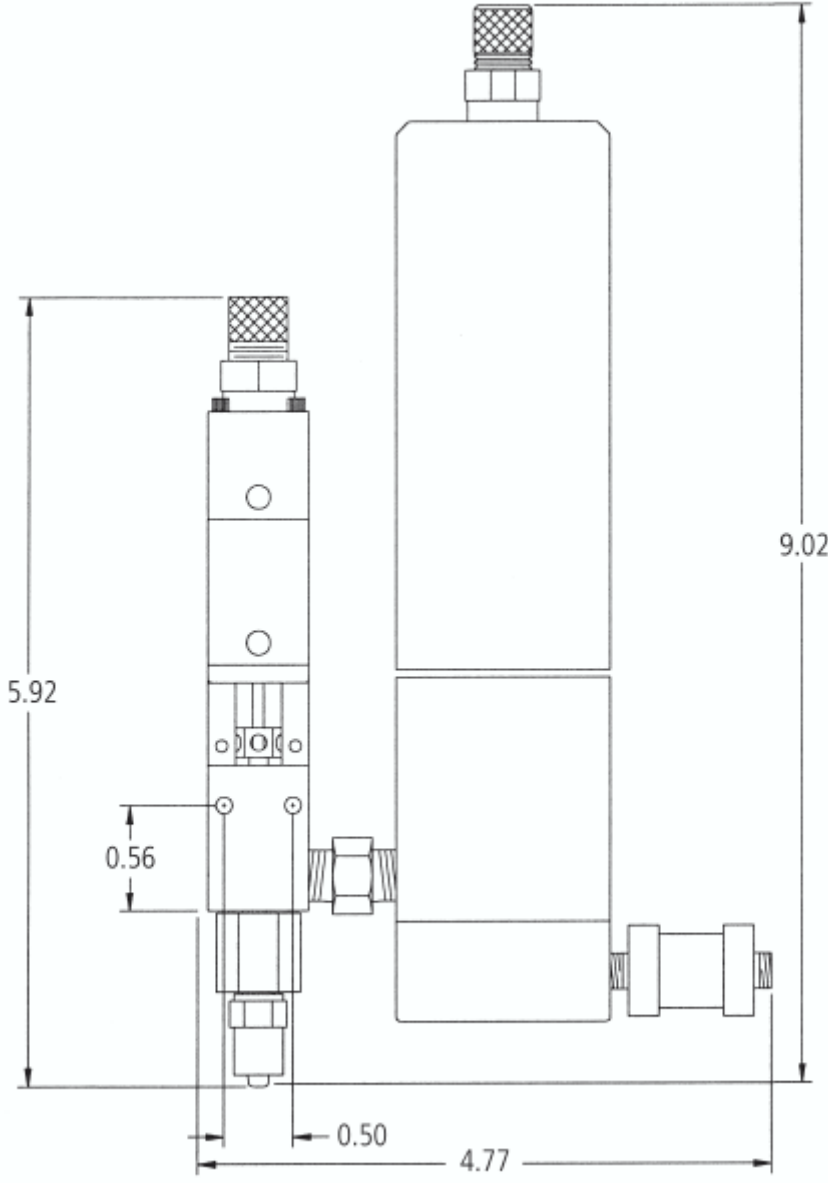
MV300
Positive displacement metering valve



15 Solar Drive
Halfmoon NY 12065
tel 518 371 2684
fx 518 371 2688
www.pva.net

Teflon® and Kalrez® are registered trademarks of Dupont.

MV400 Mounting Dimensions



All dimensions provided in inches