



**WHERE  
PRECISION  
DRIVES  
PRODUCTION**



## **PVA10G TEN GALLON STAINLESS STEEL PRESSURE VESSEL ASSEMBLY**

### **PVA10G SPECIFICATIONS**

**Inside Dimensions:**

356 mm x 406 mm  
(14 in diameter x 16 in depth)

**Outside Dimensions:**

406 mm x 838 mm  
(16 in diameter x 33 in high)

**Pressure Tank Body Construction:**

304 stainless steel

**Pressure Tank Lid Seal:**

Santoprene

**Wetted Components:**

304 stainless steel, 316 stainless steel,  
polypropylene disposable liner

**Maximum Tank Volume:**

37 liters (9.8 gallons)

**Inline Material Filter:**

Standard 450 micron

**Pressure Regulator:**

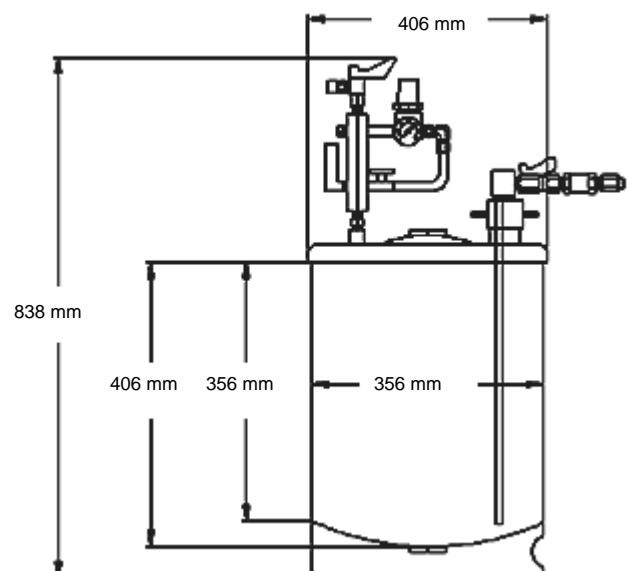
Standard 0-60 psi

The PVA10G stainless steel pressure tank assembly has a fully removable lid allowing material to be poured into the tank or have an entire bucket placed inside. A disposable polyethylene liner can be used to keep the tank walls clean. Once the lid assembly is placed onto the tank, a series of clamps will hold the assembly in place. The PVA10G features quick connect fittings and shutoff valves on the air inlet and fluid outlet.

The PVA10G has many integrated features including:

- ▲ UV safe, ASME certified enclosure
- ▲ 110 psi air safety relief valve
- ▲ Grounding wire
- ▲ Available 1" FNPT gravity feed port on bottom of tank
- ▲ Optional material agitator, heating system, low level detection, vacuum assembly, and check valve for bottom of dip tube

For more information on PVA's dispensing capabilities, please contact one of our sales representatives at (518) 371-2684.



15 Solar Drive  
Halfmoon NY 12065  
tel 518 371 2684  
fx 518 371 2688  
info@pva.net