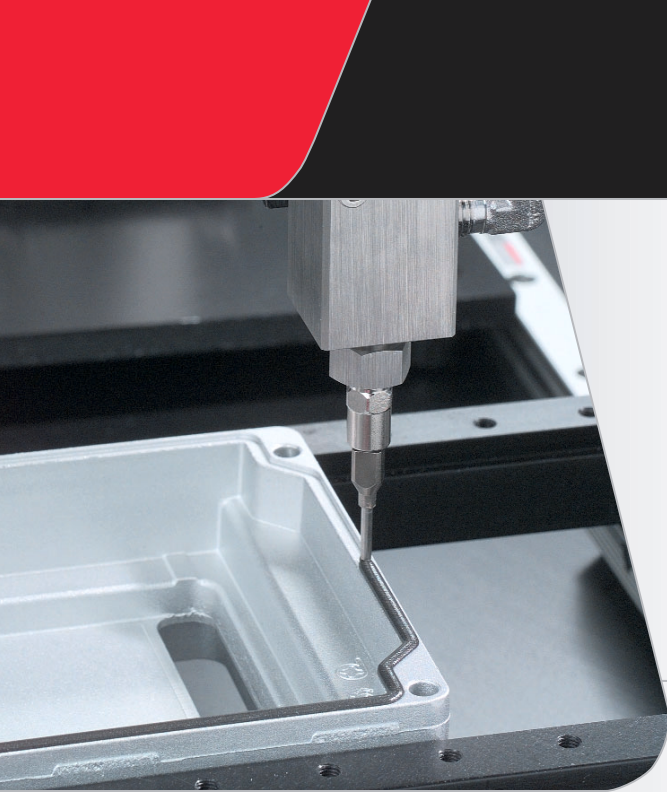




**WHERE  
PRECISION  
DRIVES  
PRODUCTION**



## **PVA-1GPU** **ONE GALLON HYDRAULIC METERING PUMP**

The PVA-1GPU one gallon hydraulic metering pump is ideal for dispensing highly abrasive, highly viscous pastes and compounds packaged in one-gallon metal pails. The PVA-1GPU extrudes material from the pail rather than pumping it like a typical reciprocating pump. The extrusion process minimizes shear and maintains material integrity. The PVA-1GPU operates as a hydraulic press. Material is extruded from the pail as a hydraulic intensifier pump forces a ram and follower plate into the container. An opening in the center of the follower plate allows material to flow out of the pump and into high-pressure material lines to be dispensed.

The PVA-1GPU has many integrated features including:

- ▲ Hydraulic RAM pump with follower plate
- ▲ Virtually pulseless flow resulting in consistent bead diameter
- ▲ Only one moving pump component provides virtually maintenance free operation
- ▲ Low shear resulting in a homogeneous material supply
- ▲ Hydraulic process eliminates the possibility of pump cavitation
- ▲ Fully pneumatic operation

For more information on PVA's capabilities, please contact one of our sales representatives at (518) 371-2684.

### **SPECIFICATIONS**

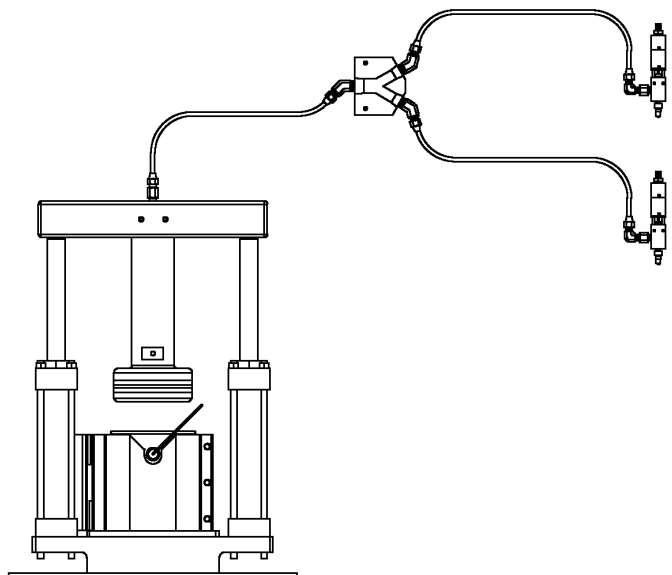
**Material Packaging:**  
One-Gallon Metal Pail

**Maximum Fluid Pressure:**  
1000 PSI

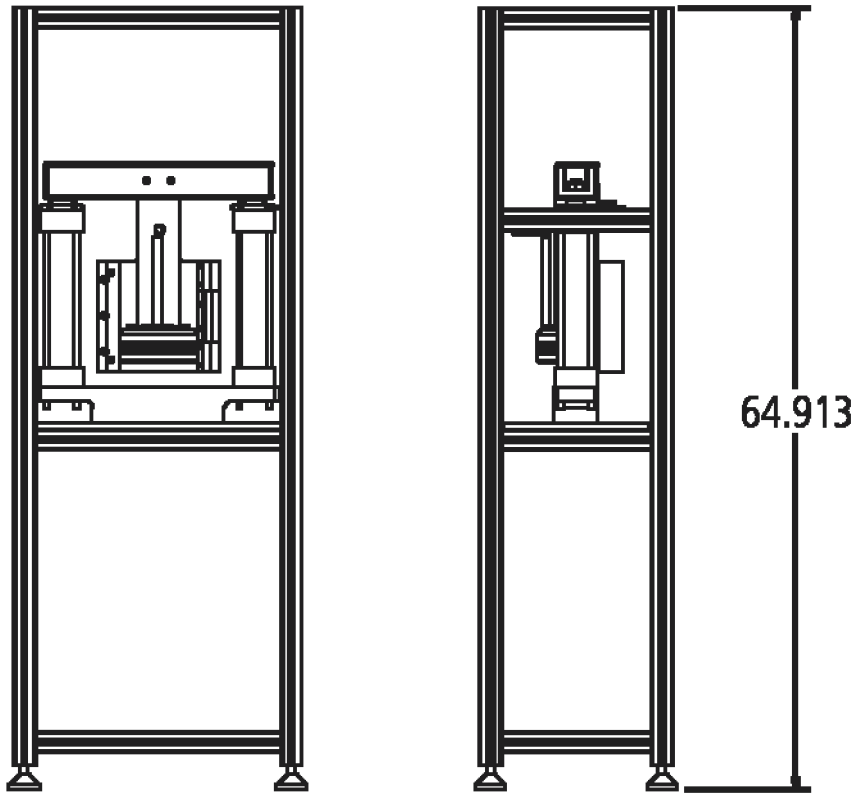
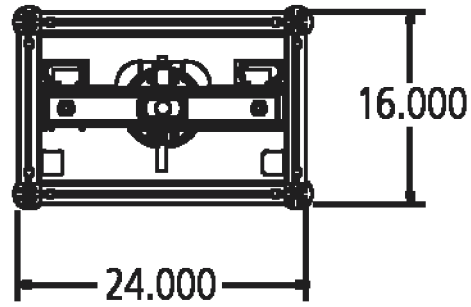
**Inlet Air Pressure:**  
70-100 PSI

**Fluid Outlet:**  
1" NPT (f)

**Wetted Parts:**  
Seals: Buna  
Ram: Aluminum, Stainless Steel



15 Solar Drive  
Halfmoon NY 12065  
tel 518 371 2684  
fx 518 371 2688  
info@pva.net



Measurements shown in inches.

15 Solar Drive  
Halfmoon NY 12065  
tel 518 371 2684  
fx 518 371 2688  
info@pva.net