



**WHERE
PRECISION
DRIVES
PRODUCTION**

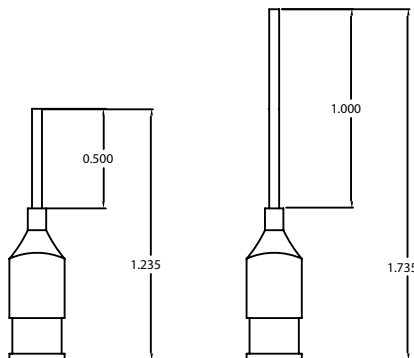
G-Series Dispense Needles All Metal Reusable Needles

PVA's all metal reusable needles feature a nickel plated brass hub and a stainless steel canula for superior chemical resistance and durability. With an all metal construction, these needles can be used in applications where fluids are being dispensed under higher pressures typically generated by pump systems. A square tab luer lock design easily threads into helical steel luer lock adapters.

Gauge	Needle Gauge Diameter		Needle Gauge Diameter	
	Inside Diameter	Outside Diameter	Inside Diameter	Outside Diameter
	in	mm	in	mm
8	0.135	3.42	0.165	4.19
10	0.116	2.95	0.134	3.40
11	0.094	2.39	0.120	3.05
12	0.085	2.16	0.109	2.77
13	0.071	1.80	0.095	2.41
14	0.063	1.60	0.083	2.11
15	0.054	1.37	0.072	1.83
16	0.047	1.19	0.065	1.65
18	0.033	0.84	0.050	1.27
19	0.027	0.69	0.043	1.09
20	0.023	0.58	0.036	0.91
21	0.020	0.51	0.032	0.81
22	0.016	0.41	0.028	0.71
23	0.013	0.33	0.025	0.64
25	0.010	0.25	0.020	0.51
27	0.008	0.20	0.016	0.41



Luer Lock Caps
Part Number: PVA-LLCAP-X



Gauge	Part Numbers	
	Canula Length/Part Number	
	1/2" Length	1" Length
8	PV-08G-0.5	PV-08G-1
10	PV-10G-0.5	PV-10G-1
11	PV-11G-0.5	PV-11G-1
12	PV-12G-0.5	PV-12G-1
13	PV-13G-0.5	PV-13G-1
14	PV-14G-0.5	PV-14G-1
15	PV-15G-0.5	PV-15G-1
16	PV-16G-0.5	PV-16G-1
18	PV-18G-0.5	PV-18G-1
19	PV-19G-0.5	PV-19G-1
20	PV-20G-0.5	PV-20G-1
21	PV-21G-0.5	PV-21G-1
22	PV-22G-0.5	PV-22G-1
23	PV-23G-0.5	PV-23G-1
25	PV-25G-0.5	PV-25G-1
27	PV-27G-0.5	PV-27G-1

*Custom Canula Lengths Available Upon Request
*Needles Available in Bulk, 50 Piece Boxes