



**WHERE
PRECISION
DRIVES
PRODUCTION**



MV200 Shot Size Range:
0.0015 cc to 0.0120 cc

VALVE SPECIFICATIONS

Dimensions:

160 mm x 19 mm x 19 mm
(6.30 in x 0.75 in x 0.75 in)

Weight:

8 oz

Viscosity Range:

1 cps – Paste

Operating Air Pressure:

60 – 100 psi

Maximum Inlet Fluid Pressure:

300 psi

Wetted Components:

Stainless steel, Kalrez[®], Teflon[®] (Delrin)

MV200 POSITIVE DISPLACEMENT DISPENSING VALVE

The MV200 is a true positive displacement metering valve capable of dispensing small deposits of material in a highly accurate process. The deposit volume is determined by the valve's stroke adjustment setting and is not affected by variations in viscosity or material pressure. The MV200 is compatible with all PVA automated platforms.

The MV200 has many integrated features including:

- ▲ 0.0015 cc to 0.0120 cc shot size
- ▲ Divorced valve design prevents material contamination of the air section
- ▲ Inlet and outlet check valves provide precise metering of material
- ▲ Adjustable stroke permits shot size modification
- ▲ Stainless steel fluid section for optimum material compatibility
- ▲ Lightweight aluminum air section
- ▲ Custom mounting holes and bleeder configurations available

For more information on PVA's dispensing capabilities, please contact one of our sales representatives at (518) 371-2684.

PVA also offers the following products to improve your dispensing application:

MV2-SP

MV200 spare parts kit

MV100

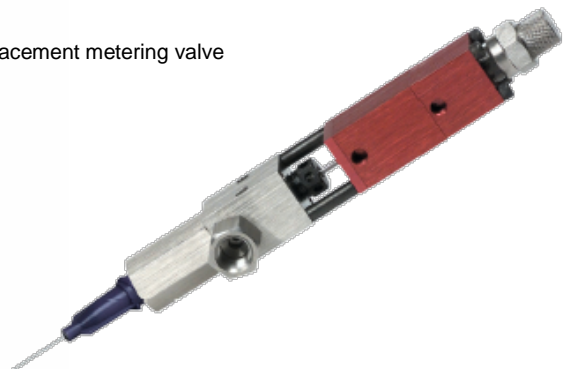
Positive displacement metering valve

MV300

Positive displacement metering valve

MV400

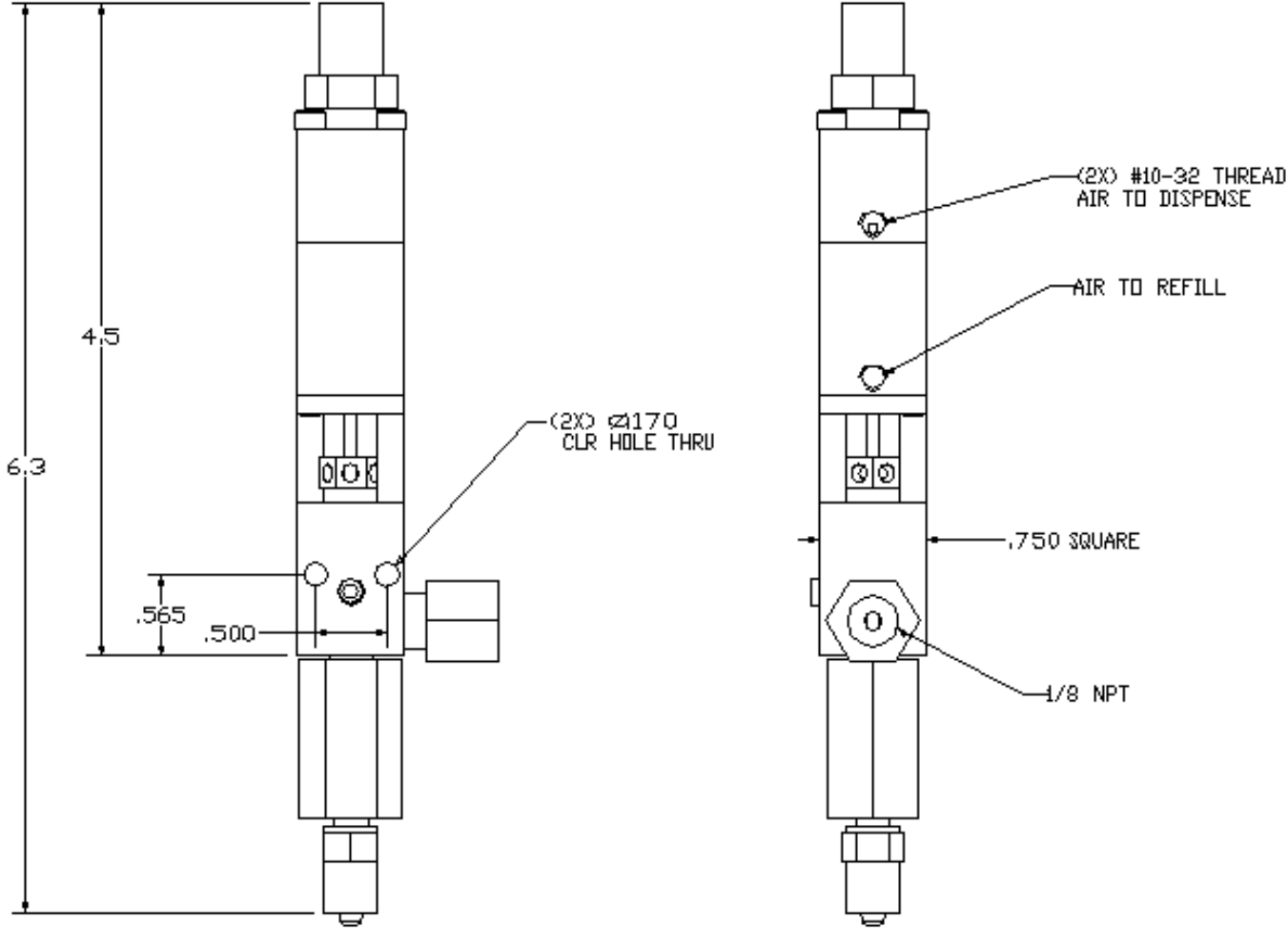
Positive displacement metering valve



One Mustang Drive
Cohoes NY 12047
tel 518 371 2684
fx 518 371 2688
www.pva.net

Teflon[®] and Kalrez[®] are registered trademarks of Dupont.

MV200 Mounting Dimensions



All dimensions provided in inches