



INNOVATION. PRECISION. EXCELLENCE.



## System Specifications

### Dispense Valve

CAM200

### Dispense Outlet

Luer lock adapter

### Fluid Reservoir

12 oz cartridge

### Fluid Viscosity Range

1 cps - 40,000 cps

### Wetted Components

Delrin, Teflon, Polypropylene, HDPE

### Air

80 psi  
(5.5 bar)

### Optional Valve Stand

PV105-01 with solvent/purge cup



## CAM200-120-1

### Handheld Dispense System

This complete manual dispense system is typically used for applying low to medium viscosity fluids with a handheld, wand style dispense valve. It utilizes the CAM200, an all plastic valve, activated with a simple lever to start and stop fluid flow for applying dots or beads without the need for a controller.

The 12 oz metal cartridge retainer with air cap is mounted onto a stand to hold plastic cartridges and feed the dispense valve through a fluid line.

Complete systems are supplied with all necessary fluid and air fittings and tubing (6ft) to operate out of the box.

The CAM200-120-1 has many additional integrated features including:

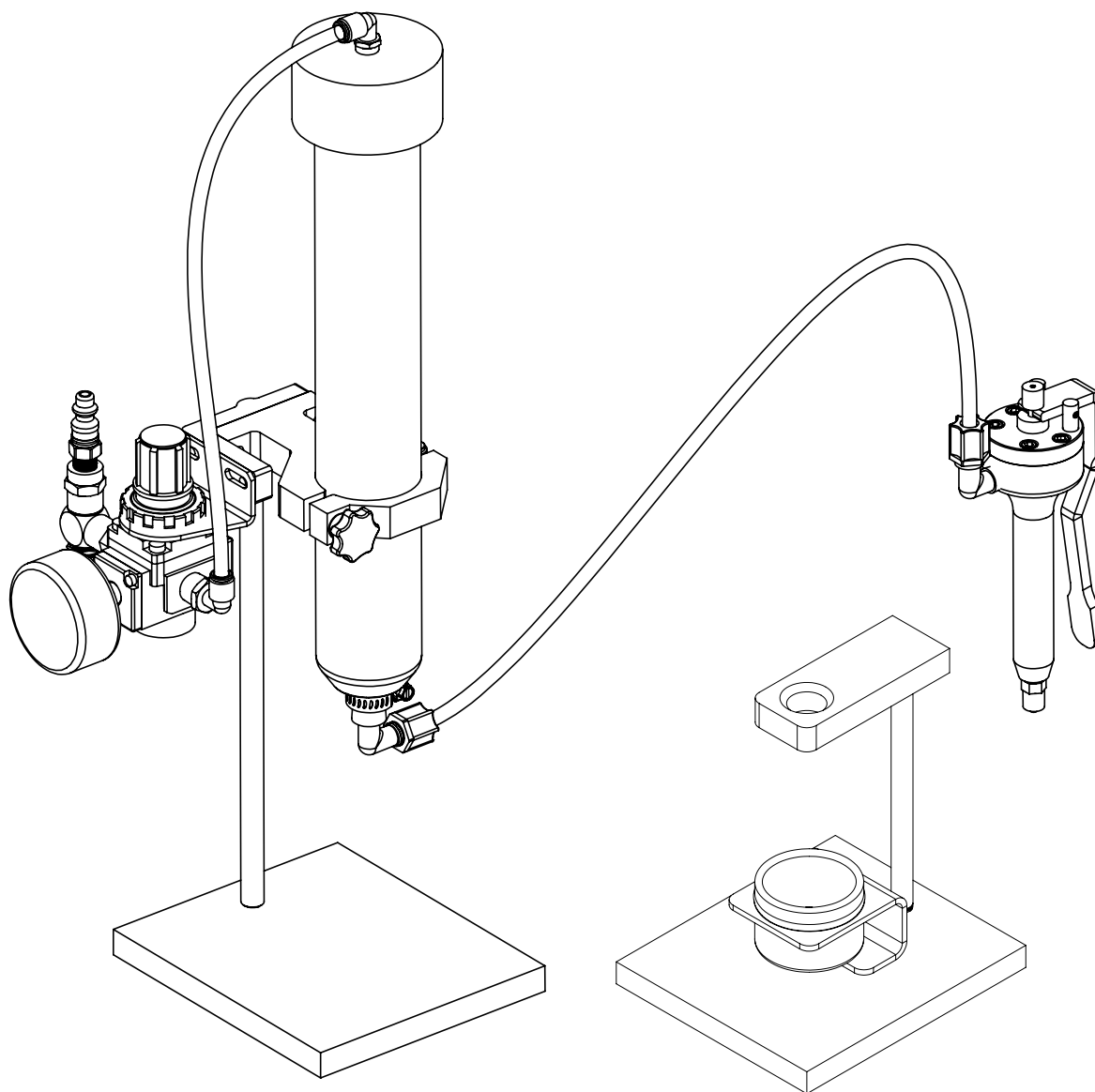
- All plastic components for chemical compatibility
- Ability to dispense cyanoacrylate and anaerobic adhesives and masking materials

For more information, please contact PVA at [info@pva.net](mailto:info@pva.net) or contact your local representative.

REV - 3/2024

Headquarters  
6 Corporate Drive | Halfmoon, NY 12065  
tel +1 518 371 2684 | fx +1 518 371 2688  
[www.pva.net](http://www.pva.net) | [info@pva.net](mailto:info@pva.net)

# System Assembly



*System shown above includes optional PV105-1 Valve Stand with solvent/purge cup.*