



INNOVATION. PRECISION. EXCELLENCE.



System Specifications

Dispense Valve

CAM200

Dispense Outlet

Luer Lock Adapter

Pressure Tank

PVA-2G

Fluid Viscosity Range

1 cps - 20,000 cps (self-leveling fluid)

Wetted Components

Stainless Steel, Delrin, Teflon, Polypropylene

Air

80 psi
(5.5 bar)

Optional Valve Stand

PV105-01 including solvent/purge cup

CAM200-2G-1

Handheld Dispense System

This complete manual dispense system is typically used for applying low to medium viscosity fluids with a handheld, wand style dispense valve. It utilizes the CAM200, an all plastic valve, activated with a simple lever to start and stop fluid flow for applying dots or beads without the need for a controller.

Supplied with a 2-gallon stainless steel pressure tank, compatible fluids can be poured into the tank through the oval opening in the lid.

Complete systems are supplied with all necessary fluid and air fittings and tubing (6 ft) to operate out of the box.

The CAM200-2G-1 has many additional integrated features including:

- Ability to dispense or brush conformal coatings
- Easy to use handheld filling system

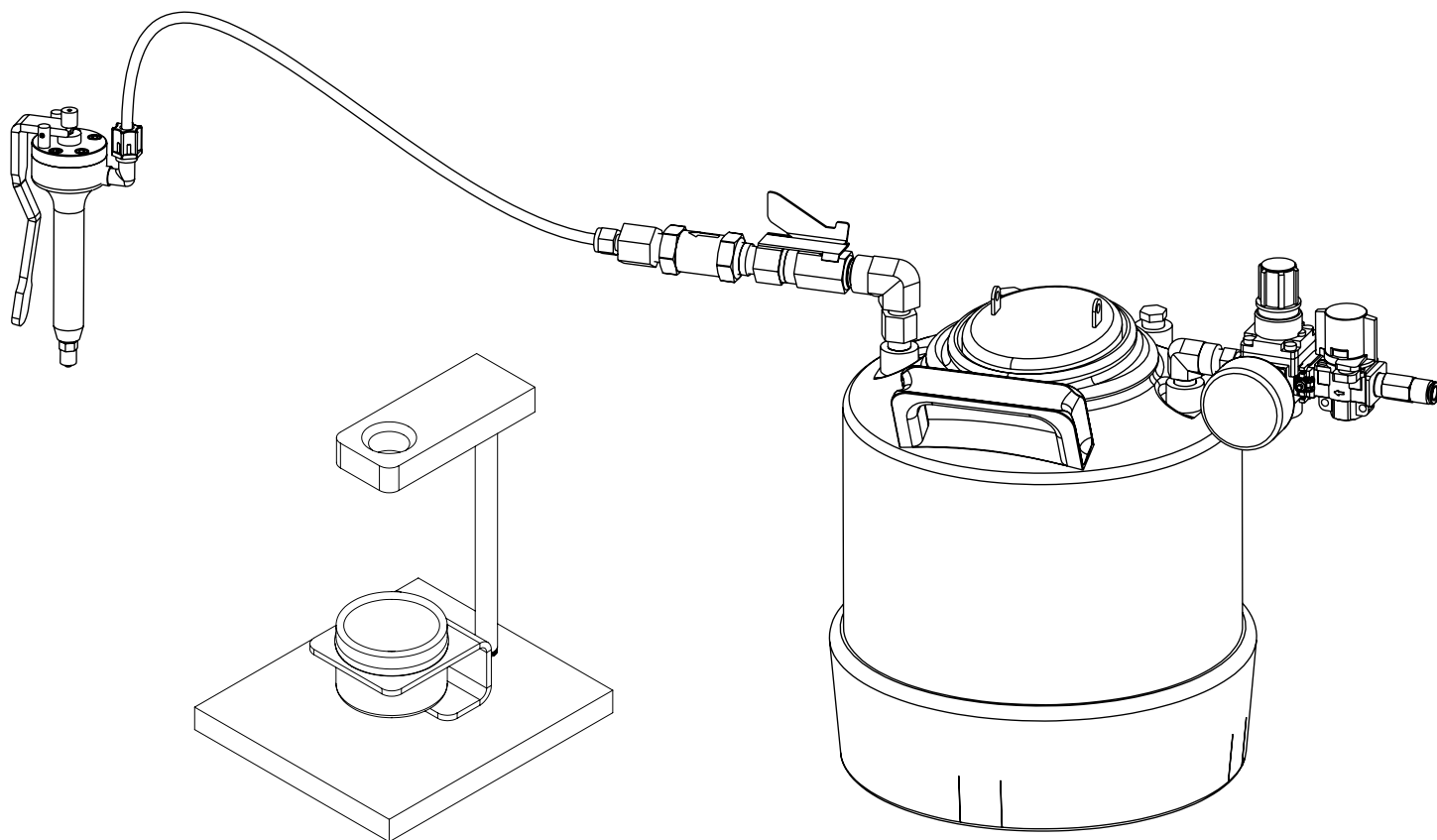
For more information, please contact PVA at info@pva.net or contact your local representative.



REV - 3/2024

Headquarters
6 Corporate Drive | Halfmoon, NY 12065
tel +1 518 371 2684 | fx +1 518 371 2688
www.pva.net | info@pva.net

System Assembly



System shown above includes optional PV105-1 Valve Stand with solvent/purge cup.