



INNOVATION. PRECISION. EXCELLENCE.



System Specifications

Dispense Valve

CAM200

Dispense Outlet

Luer lock adapter

Pressure Tank

PVA-2LTUV

Fluid Viscosity Range

1 cps - 20,000 cps (self-leveling fluid)

Wetted Components

Delrin, Teflon, Polypropylene, Stainless Steel

Air

80 psi
(5.5 bar)

Optional Valve Stand

PV105-01 with solvent/purge cup



CAM200-2LT-2

Handheld Dispense System

This complete manual dispense system is typically used for applying low to medium viscosity fluids with two handheld wand style dispense valves from a single tank. It utilizes the CAM200 which is an all plastic valve activated with a simple lever to start and stop fluid flow for applying dots or beads without the need for a controller. The dual valve configuration allows an operator to fit each CAM200 valve with a different gauge size or type of nozzle to quickly swap between them.

Supplied with a 2-liter pressure tank, it can hold most industry standard 1 or 2-liter bottles, eliminating the need to pour fluid into a container which can introduce moisture and air.

Complete systems are supplied with all necessary fluid fittings and tubing (6 ft) to run out of the box.

The CAM200-2LT-2 has many additional integrated features including:

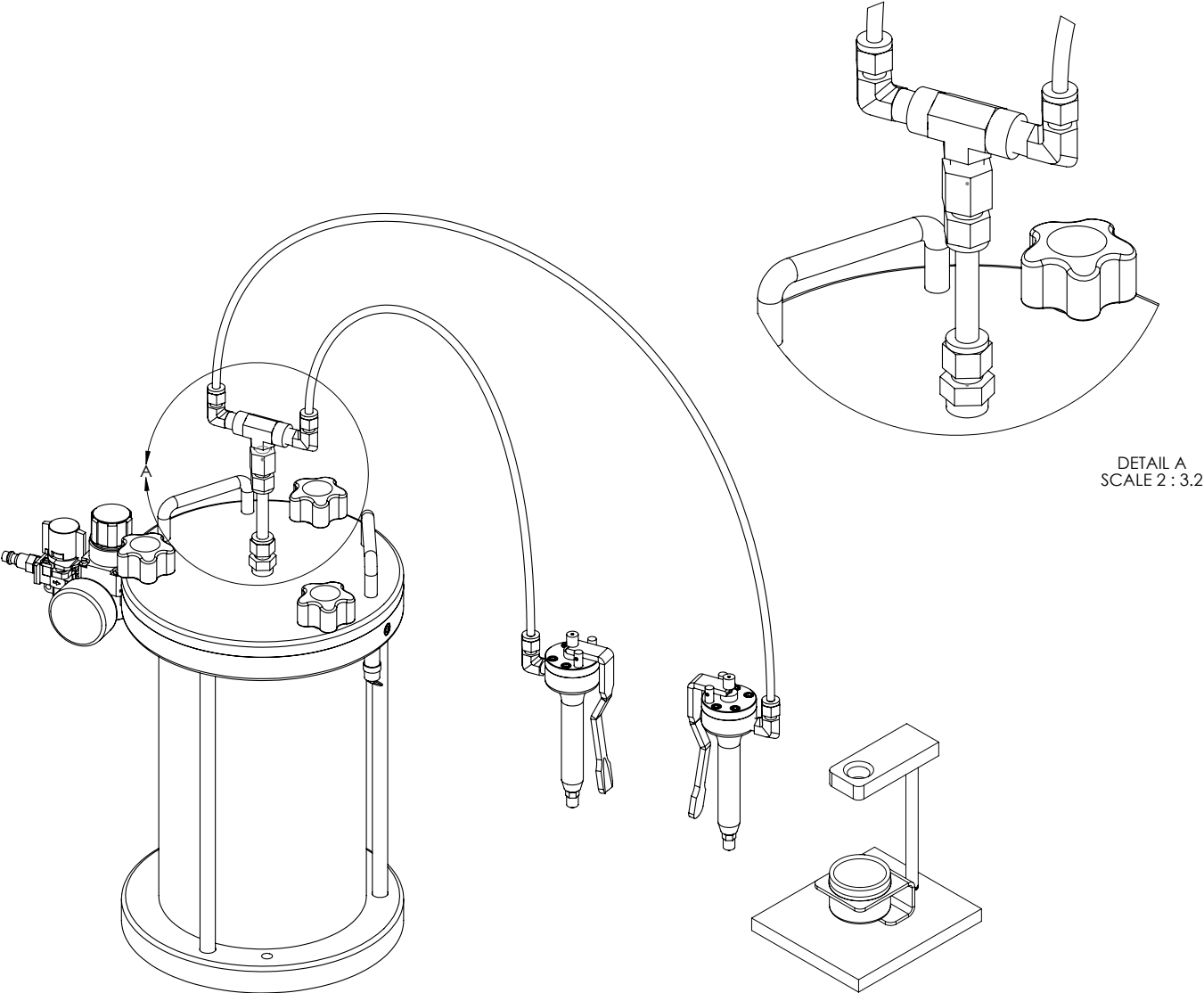
- Ability to dispense masking materials
- Selectively dispense and brush conformal coatings
- Option to dispense large or small beads

For more information, please contact PVA at info@pva.net or contact your local representative.

REV - 3/2024

Headquarters
6 Corporate Drive | Halfmoon, NY 12065
tel +1 518 371 2684 | fx +1 518 371 2688
www.pva.net | info@pva.net

System Assembly



System shown above includes optional PV105-1 Valve Stand with solvent/purge cup.