



INNOVATION. PRECISION. EXCELLENCE.



System Specifications

Dispense Valve

CAM200

Dispense Outlet

Luer Lock Adapter

Pressure Tank

PVA-5LTUV

Fluid Viscosity Range

1 cps - 20,000 cps (self-leveling fluid)

Wetted Components

Delrin, Teflon, Polypropylene

Air

80 psi
(5.5 bar)

Optional Valve Stand

PV105-01 with solvent/purge cup



CAM200-5LT-1

Handheld Dispense System

This complete manual dispense system is typically used for applying low to medium viscosity fluids with a handheld, wand style dispense valve. It utilizes the CAM200, an all plastic valve, activated with a simple lever to start and stop fluid flow for applying dots or beads without the need for a controller.

Supplied with a 5-liter pressure tank, it can hold most industry standard 5-liter or 1-gallon bottles/cans eliminating the need to pour fluid into a container which can introduce moisture and air.

Complete systems are supplied with all necessary fluid fittings and tubing (6 ft) to operate out of the box.

The CAM200-2LT-1 has many additional integrated features including:

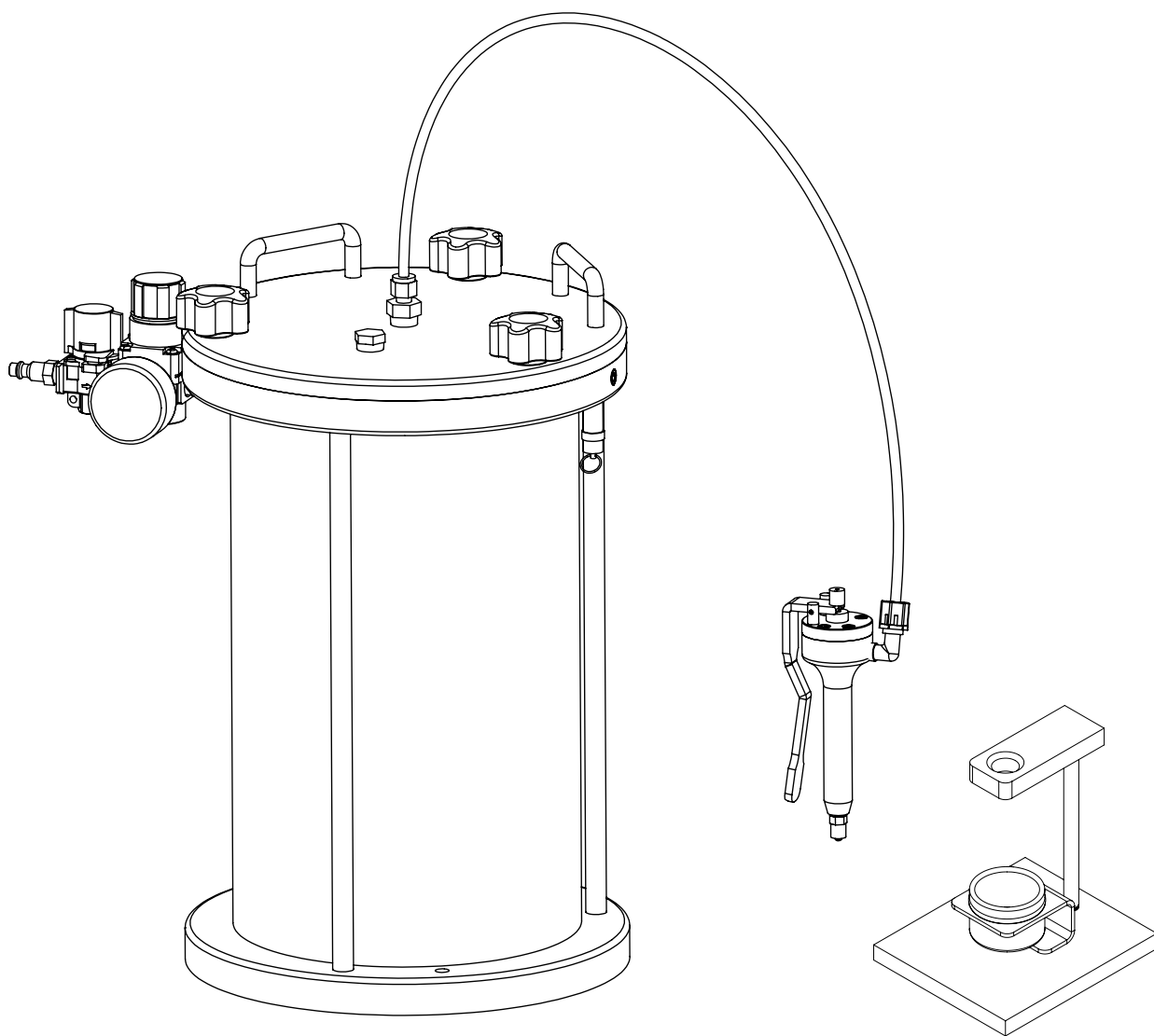
- All plastic components for chemical compatibility
- Ability to dispense multiple materials including cyanoacrylate and anaerobic adhesives, masking materials, and conformal coatings

For more information, please contact PVA at info@pva.net or contact your local representative.

REV - 3/2024

Headquarters
6 Corporate Drive | Halfmoon, NY 12065
tel +1 518 371 2684 | fx +1 518 371 2688
www.pva.net | info@pva.net

System Assembly



System shown above includes optional PV105-1 Valve Stand with solvent/purge cup.