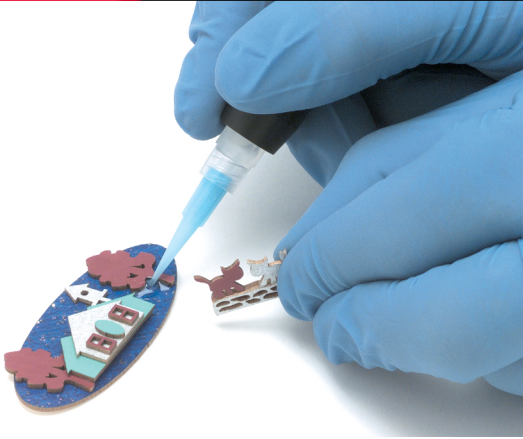




INNOVATION. PRECISION. EXCELLENCE.



System Specifications

Dispense Valve

CAM300

Dispense Outlet

Luer lock adapter

Pressure Reservoir

PVA-2LTUV

Fluid Viscosity Range

1 cps - 20,000 cps (self-leveling fluid)

Wetted Components

Delrin, Teflon, Polypropylene

Air

80 psi
(5.5 bar)

Power Requirements

115V/230V, 50-60 Hz

Optional Valve Stand

PV105-1 with solvent/purge cup



CAM300-2LT-1

Handheld Dispense System

This complete manual dispense system is typically used for applying low to medium viscosity fluids with a handheld, wand style dispense valve. It utilizes the CAM300 which is an all plastic valve, pneumatically actuated via the foot pedal of the ST100 controller. The valve controller can be set in Manual mode to apply fluid for the duration the foot pedal is pressed or Timed mode for single pulse repeatable volumes.

Supplied with a 2-liter pressure tank, it can hold most industry standard 1 or 2-liter bottles, eliminating the need to pour fluid into a container which can introduce moisture and air.

Complete systems are supplied with all necessary fluid and air fittings and tubing to operate out of the box.

The CAM300-2LT-1 has many additional integrated features including:

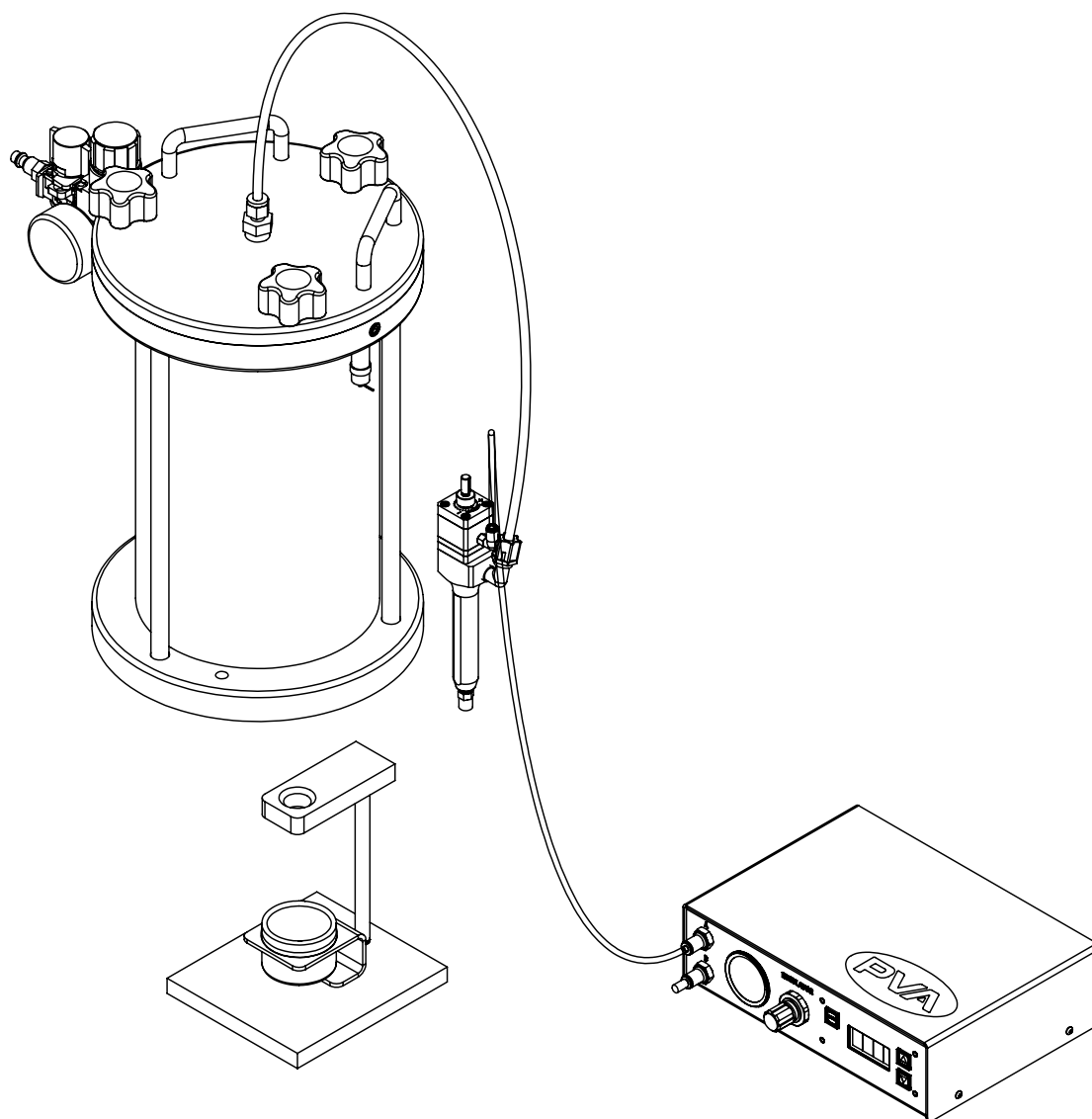
- All plastic components for chemical compatibility
- Ability to dispense cyanoacrylate and anaerobic adhesives and masking materials
- Selectively dispense or brush conformal coatings

For more information, please contact PVA at info@pva.net or contact your local representative.

REV - 3/2024

Headquarters
6 Corporate Drive | Halfmoon, NY 12065
tel +1 518 371 2684 | fx +1 518 371 2688
www.pva.net | info@pva.net

System Assembly



System shown above includes optional PV105-1 Valve Stand with solvent/purge cup.