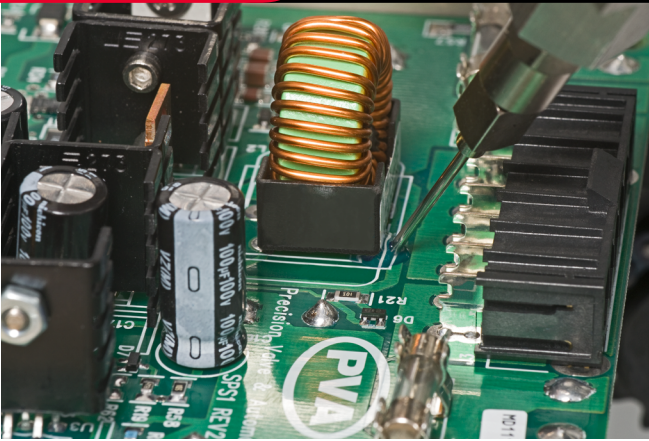




INNOVATION. **PRECISION.** EXCELLENCE.



System Specifications

Dispense Valve

FC100

Dispense Outlet

Luer Lock Adapter

Pressure Tank

PVA-2G

Controller

PV101 pneumatic trigger handle

Fluid Viscosity Range

1 cps - 20,000 cps (self-leveling fluid)

Wetted Components

Stainless Steel, Teflon, Kalrez

Air

80 psi
(5.5 bar)

Optional Equipment

PV106-S valve stand with solvent/purge cup
PV101E pneumatic trigger handle with ST100

FC100-2G-H

Handheld Dispense System

This complete manual dispense system is typically used for handheld dispensing and potting applications. It utilizes the FC100 dispense valve mounted to a pneumatic trigger handle for simple activation and accurate control of the material.

Supplied with a 2-gallon stainless steel pressure tank, compatible fluids can be poured into the tank through the oval opening in the lid.

Complete systems are supplied with all necessary fluid and air fittings and tubing (6 ft) to operate out of the box.

The FC100-2G-H has many additional integrated features including:

- Ability to dispense multiple materials including cyanocrylate and anaerobic adhesives
- Option to use as a handheld adhesive or potting dispense system
- Hand trigger activation

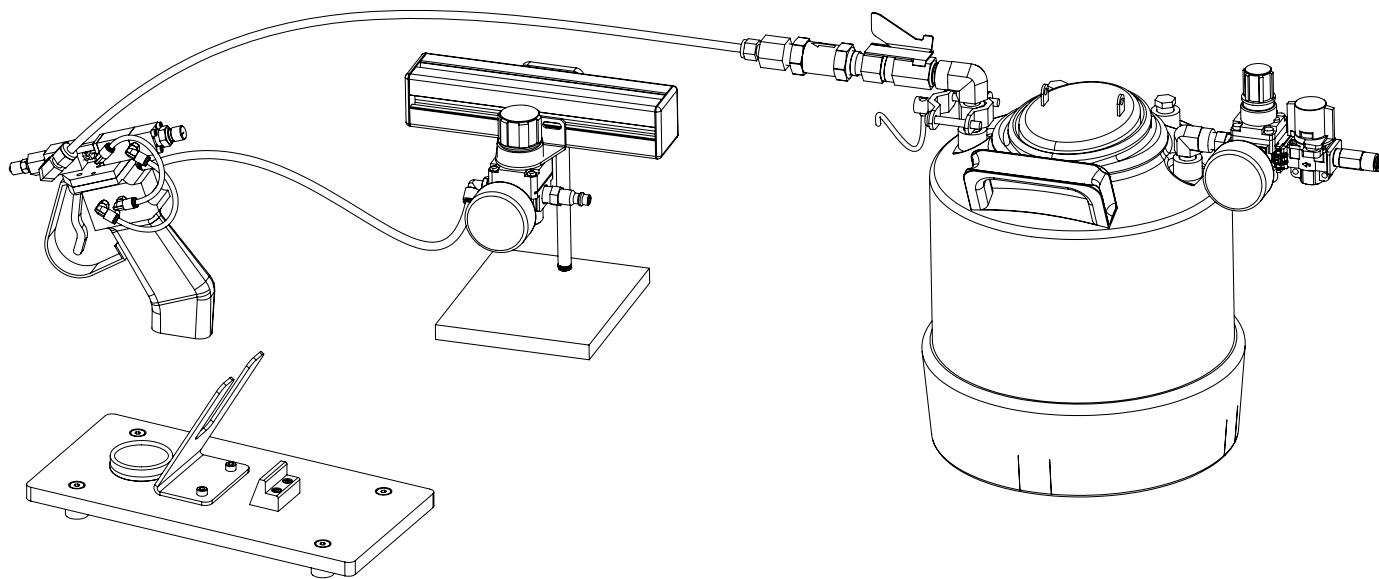
For more information, please contact PVA at info@pva.net or contact your local representative.



REV - 3/2024

Headquarters
6 Corporate Drive | Halfmoon, NY 12065
tel +1 518 371 2684 | fx +1 518 371 2688
www.pva.net | info@pva.net

System Assembly



System shown above includes optional PV106-S Valve Stand with solvent/purge cup.