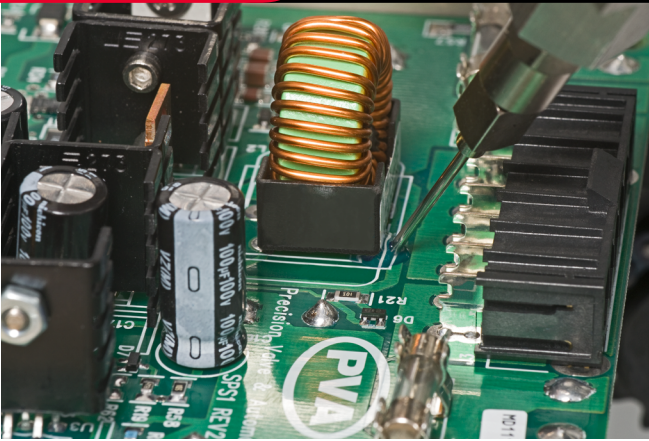




INNOVATION. PRECISION. EXCELLENCE.



System Specifications

Dispense Valve

FC100

Dispense Outlet

Luer lock adapter

Pressure Tank

PVA-2LTUV

Controller

ST100 with PV101E

Fluid Viscosity Range

1 cps - 20,000 cps (self-leveling fluid)

Wetted Components

Stainless Steel, Teflon, Kalrez

Air

80 psi
(5.5 bar)

Power Requirements

115V/230V, 50-60 Hz

FC100-2LT-1-H

Benchtop Dispense System

This complete manual dispense system is typically used for handheld dispensing and potting applications. It utilizes the FC100 dispense valve mounted to an electric trigger to activate the ST100 valve controller. The valve controller can be set in Manual mode to apply fluid for the duration the trigger is depressed or Timed mode for single pulse repeatable volumes.

Supplied with a 2-liter pressure tank, it can hold most industry standard 1 or 2-liter bottles, eliminating the need to pour fluid into a tank which can introduce moisture and air.

Complete systems are supplied with all necessary fluid and air fittings and tubing (6 ft) to operate out of the box.

The FC100-2G-H has many additional integrated features including:

- Ability to dispense manual or timed volumes
- Handheld trigger activation
- Optional valve stand and solvent/purge cup (PV106-S) and pneumatic trigger handle (PV101) are also available

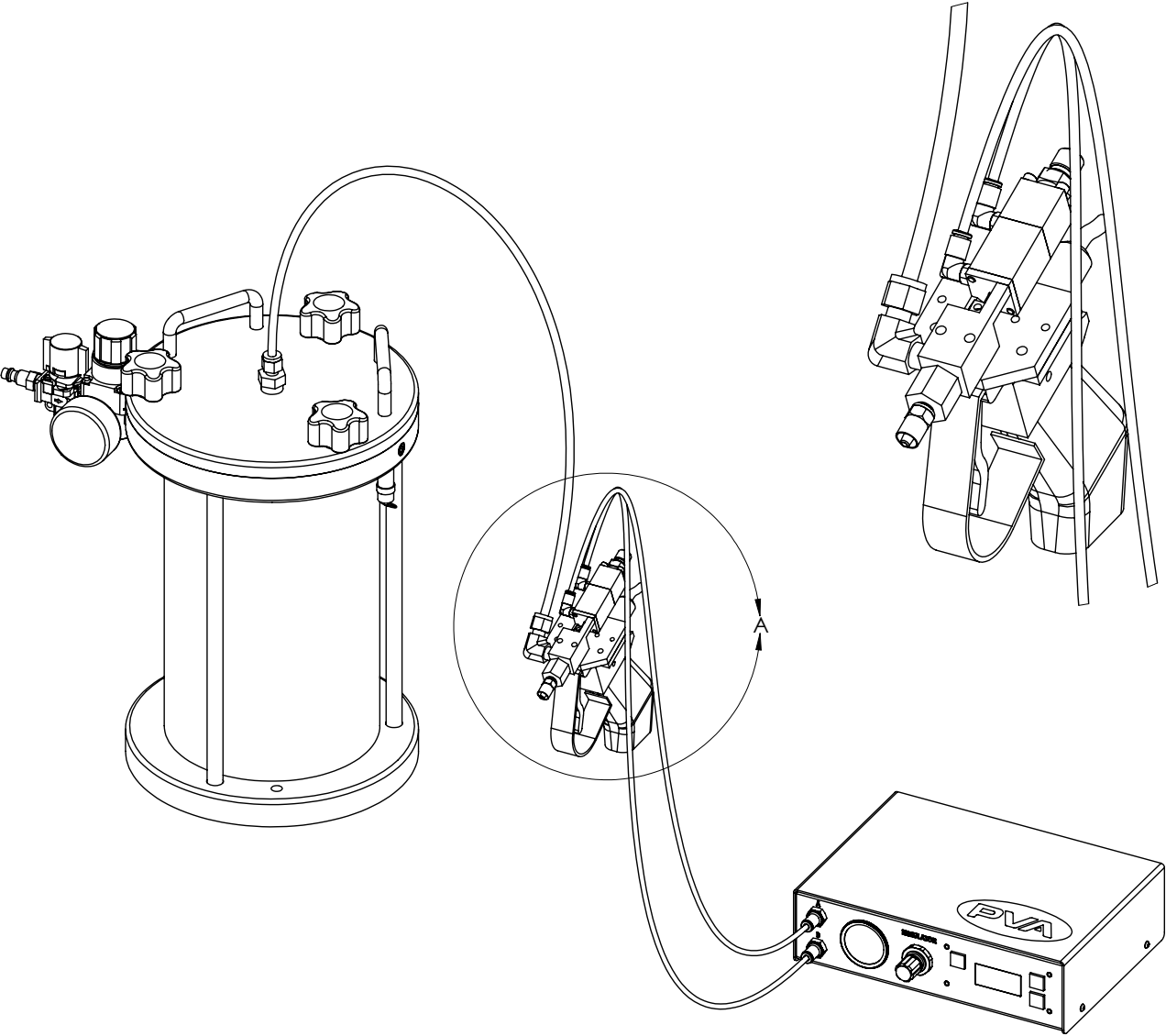
For more information, please contact PVA at info@pva.net or contact your local representative.



REV - 3/2024

Headquarters
6 Corporate Drive | Halfmoon, NY 12065
tel +1 518 371 2684 | fx +1 518 371 2688
www.pva.net | info@pva.net

System Assembly



DETAIL A
SCALE 1 : 2