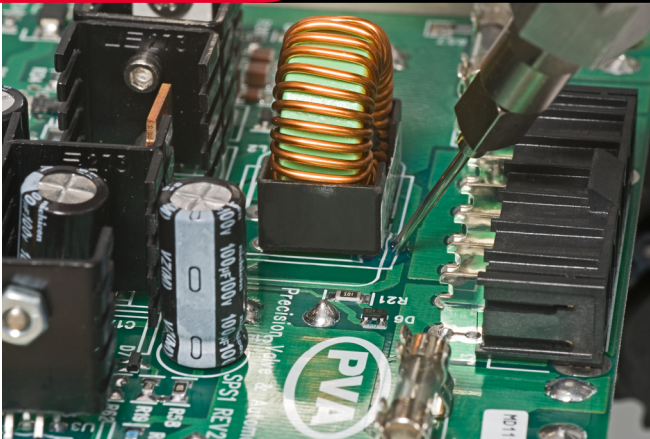




INNOVATION. **PRECISION.** EXCELLENCE.



System Specifications

Dispense Valve

FC100

Dispense Outlet

Luer lock adapter

Pump System

PVA-300MLCP

Controller

PV101

Fluid Viscosity Range

20,000 cps - paste

Wetted Components

Stainless Steel, Teflon, Kalrez

Air

80 psi
(5.5 bar)

Optional Equipment

PV106-S valve stand with solvent/purge cup
PV101-E electric trigger handle with ST100 controller

FC100-300ML-H

Benchtop Dispense System

This complete manual dispense system is typically used for handheld dispensing applications to apply higher viscosity, non-self-leveling fluids. It utilizes the FC100 dispense valve mounted to a pneumatic trigger handle to activate the start and stop of fluid flow from the nozzle as the trigger is pressed.

Supplied with a 300 ml caulk tube style cartridge pump, it is designed to generate up to 900 psi fluid pressure to transfer high viscosity fluids through a flexible fluid hose to the FC100 quickly. A fluid regulator and gauge on the outlet of the pump make it easy to dial in a steady pressure to the valve.

Complete systems are supplied with all necessary fluid and air fittings and tubing (6 ft) to operate out of the box.

The FC100-300ML-H has many additional integrated features including:

- Ability to dispense RTV, silicone, and UV curable masking materials
- Hand trigger activation

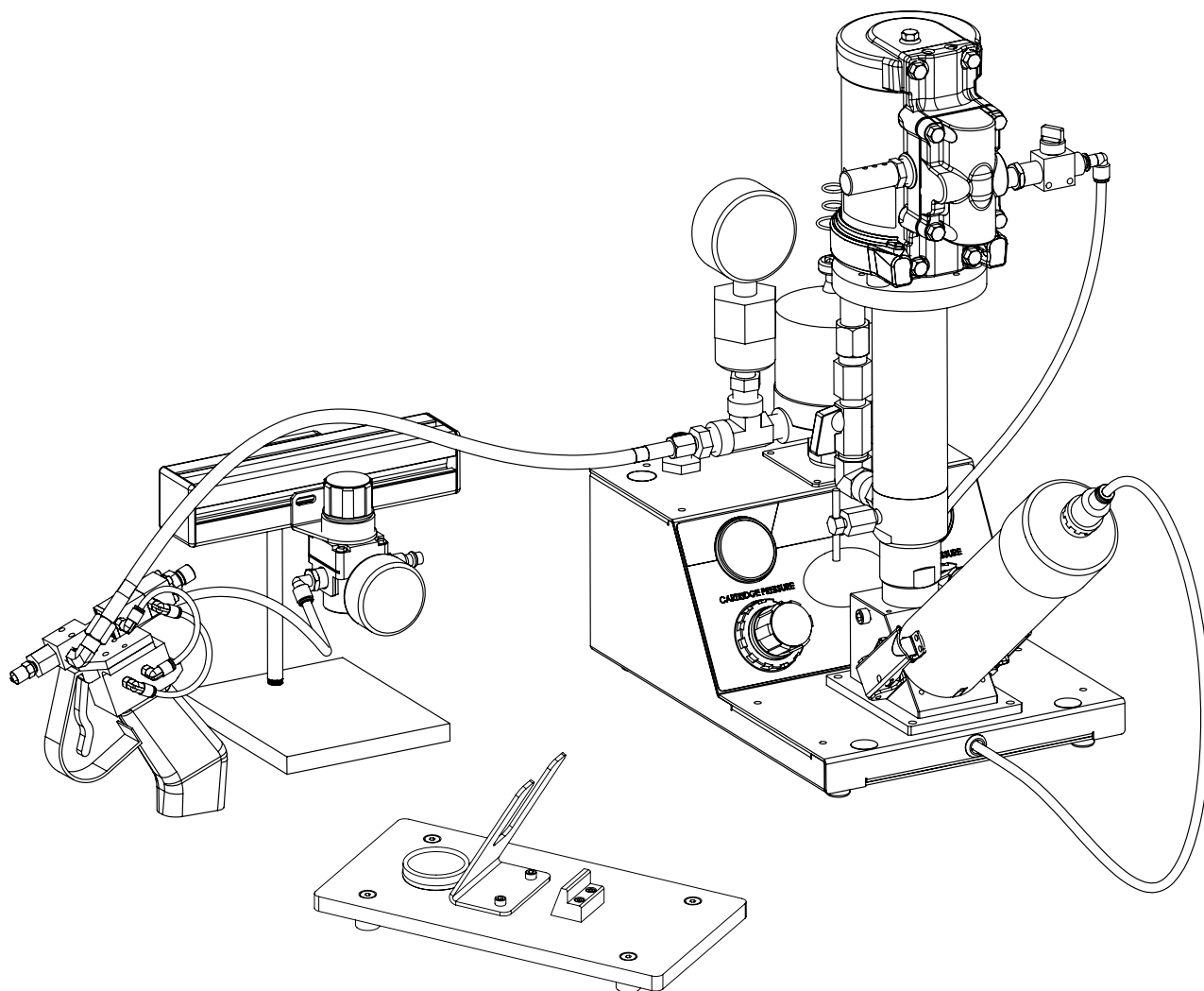
For more information, please contact PVA at info@pva.net or contact your local representative.



REV - 3/2024

Headquarters
6 Corporate Drive | Halfmoon, NY 12065
tel +1 518 371 2684 | fx +1 518 371 2688
www.pva.net | info@pva.net

System Assembly



System shown above includes optional PV106-S Valve Stand with solvent/purge cup.