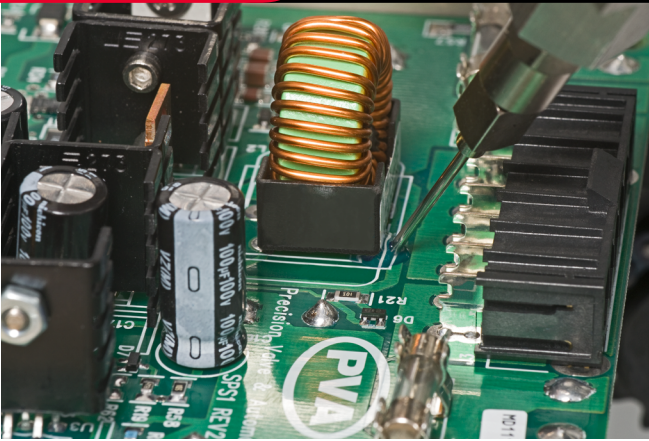




INNOVATION. PRECISION. EXCELLENCE.



## System Specifications

### Dispense Valve

FC100

### Dispense Outlet

Luer lock adapter

### Pump System

PVA-5GPP

### Controller

PV101

### Fluid Viscosity Range

20,000 cps - paste

### Wetted Components

Carbon, Steel, Stainless Steel, Teflon, Kalrez

### Air

80 psi  
(5.5 bar)

### Optional Equipment

PV106-S valve stand with solvent/purge cup  
PV101-E electric trigger handle with ST100 controller



## FC100-5GPP-H

### Handheld Dispense System

This complete manual dispense system is typically used for handheld dispensing applications to apply higher viscosity, non-self-leveling fluids. It utilizes the FC100 dispense valve mounted to a pneumatic trigger handle to activate the start and stop of fluid flow from the nozzle as the trigger is pressed.

Supplied with a full 5-gallon pail pump assembly, the 23:1 ratio pump motor can generate over 2,000 psi of fluid pressure to transfer high viscosity fluids through a flexible fluid hose to be dispensed through the FC100 quickly. A fluid regulator and gauge on the outlet of the pump make it easy to dial in a steady, pulse free fluid pressure to the valve.

Complete systems are supplied with all necessary fluid and air fittings and tubing (6 ft) to operate out of the box.

The FC100-5GPP-H has many additional integrated features including:

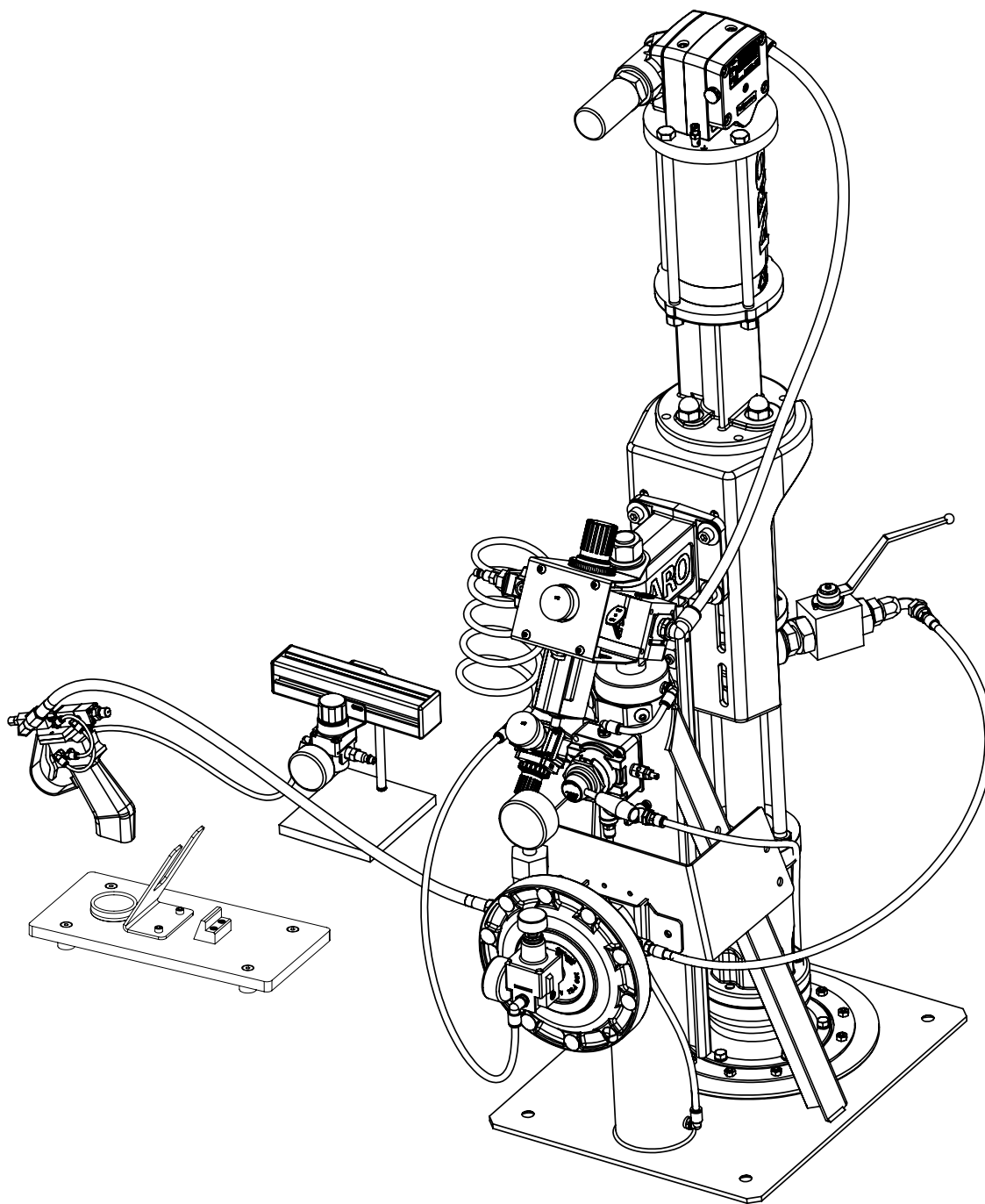
- Ability to dispense RTV, silicone, and high viscosity grease
- Optional all stainless steel and Teflon wetted parts

**For more information, please contact PVA at [info@pva.net](mailto:info@pva.net) or contact your local representative.**

REV - 3/2024

Headquarters  
6 Corporate Drive | Halfmoon, NY 12065  
tel +1 518 371 2684 | fx +1 518 371 2688  
[www.pva.net](http://www.pva.net) | [info@pva.net](mailto:info@pva.net)

# System Assembly



*System shown above includes optional PV106-S Valve Stand with solvent/purge cup.*