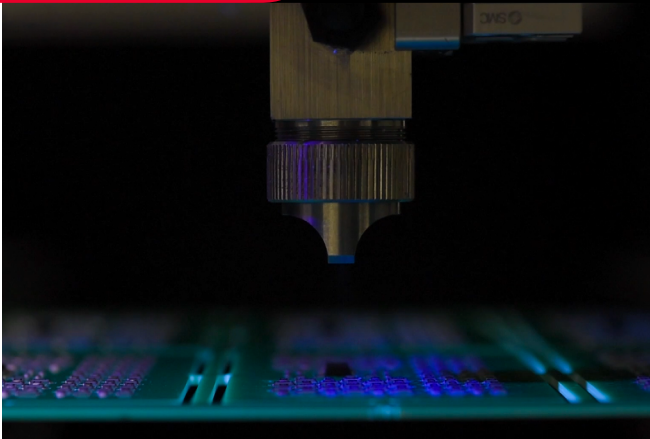




INNOVATION. **PRECISION.** EXCELLENCE.



System Specifications

Dispense Valve

FCS300-R

Spray Pattern Diameter

6.35 mm - 50.8 mm
(0.25 in - 2 in)

Pressure Tank

PVA-5LTUV

Fluid Viscosity Range

1 cps - 20,000 cps (self-leveling fluid)

Wetted Components

Stainless Steel, Teflon, Kalrez

Air

80 psi
(5.5 bar)

Optional Equipment

PV106-S valve stand with solvent/purge cup
FX800 fume extraction system



FCS300-R-5LT-H Handheld Coating System

This complete manual spray system is typically used for handheld conformal coating applications. It utilizes the FCS300-R spray valve mounted to a pneumatic trigger handle for simple activation and accurate control of the atomized fluid.

Supplied with a 5-liter pressure tank, it can hold most industry standard 5-liter or 1-gallon bottles/cans, eliminating the need to pour fluid into a tank which can introduce moisture and air.

Complete systems are supplied with all necessary fluid and air fittings and tubing (6 ft) to operate out of the box.

The FCS300-R-5LT-H has many additional integrated features including:

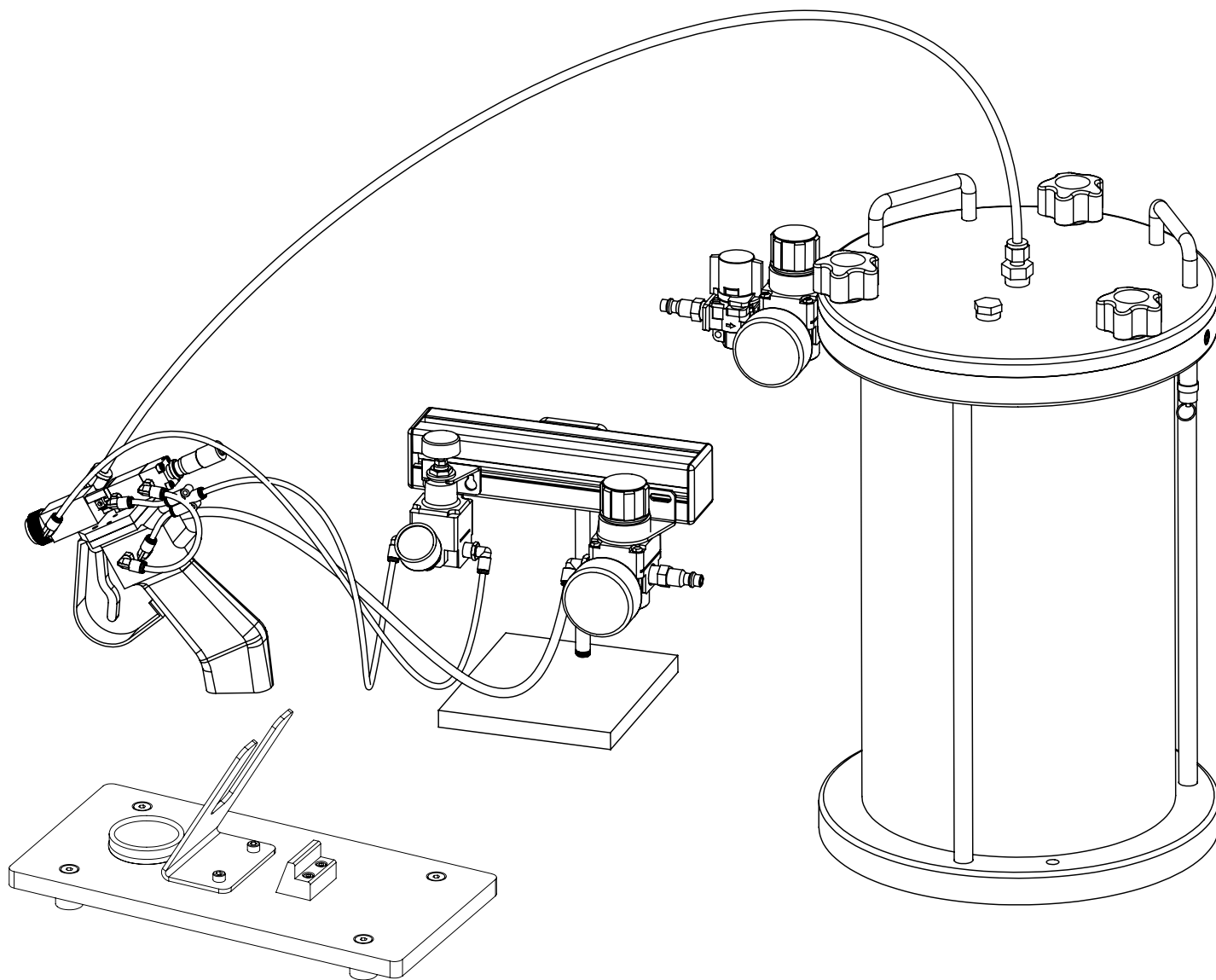
- Low volume, low pressure atomized spray valve for manual conformal coating of PCBs
- 0 - 15 psi precision atomizing air regulator
- Hand trigger activation

For more information, please contact PVA at info@pva.net or contact your local representative.

REV - 3/2024

Headquarters
6 Corporate Drive | Halfmoon, NY 12065
tel +1 518 371 2684 | fx +1 518 371 2688
www.pva.net | info@pva.net

System Assembly



System shown above includes optional PV106-S Valve Stand with solvent/purge cup.