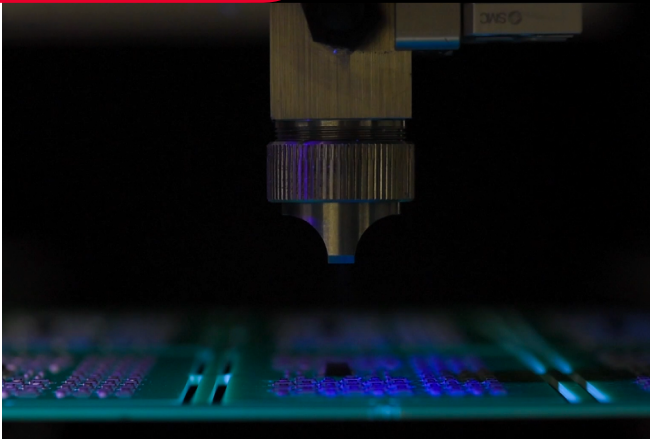




INNOVATION. **PRECISION.** EXCELLENCE.



System Specifications

Dispense Valve

FCS300-R

Spray Pattern Diameter

6.35 mm - 50.8 mm
(0.25 in - 2 in)

Fluid Reservoir

30 cc syringe

Fluid Viscosity Range

1 cps - 20,000 cps (self-leveling fluid)

Wetted Components

Stainless Steel, Teflon, Kalrez, Polypropylene

Air

80 psi
(5.5 bar)

Optional Additions

PV106-S valve stand with purge cup
FX800 fume extraction system

FCS300-R-SYR-H Handheld Coating System

This complete manual spray system is typically used for handheld conformal coating applications. It utilizes the FCS300-R spray valve mounted to a pneumatic trigger handle for simple activation and accurate control of the atomized fluid.

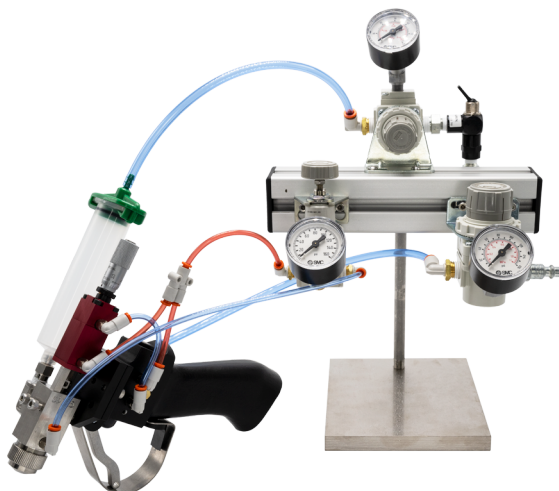
Supplied with a 30cc polyethylene syringe mounted directly to the valve, this configuration can be used to hold small volumes of a coating for low production runs. Coating chemistries can be quickly and easily changed over, with minimal cleanup time.

Complete systems are supplied with all necessary fluid and air fittings and tubing to operate out of the box.

The FCS300-R-SYR-H has many additional integrated features including:

- Low volume, low pressure atomized spray valve for manual conformal coating of PCBs
- 0 - 15 psi precision atomizing air regulator
- Hand trigger activation

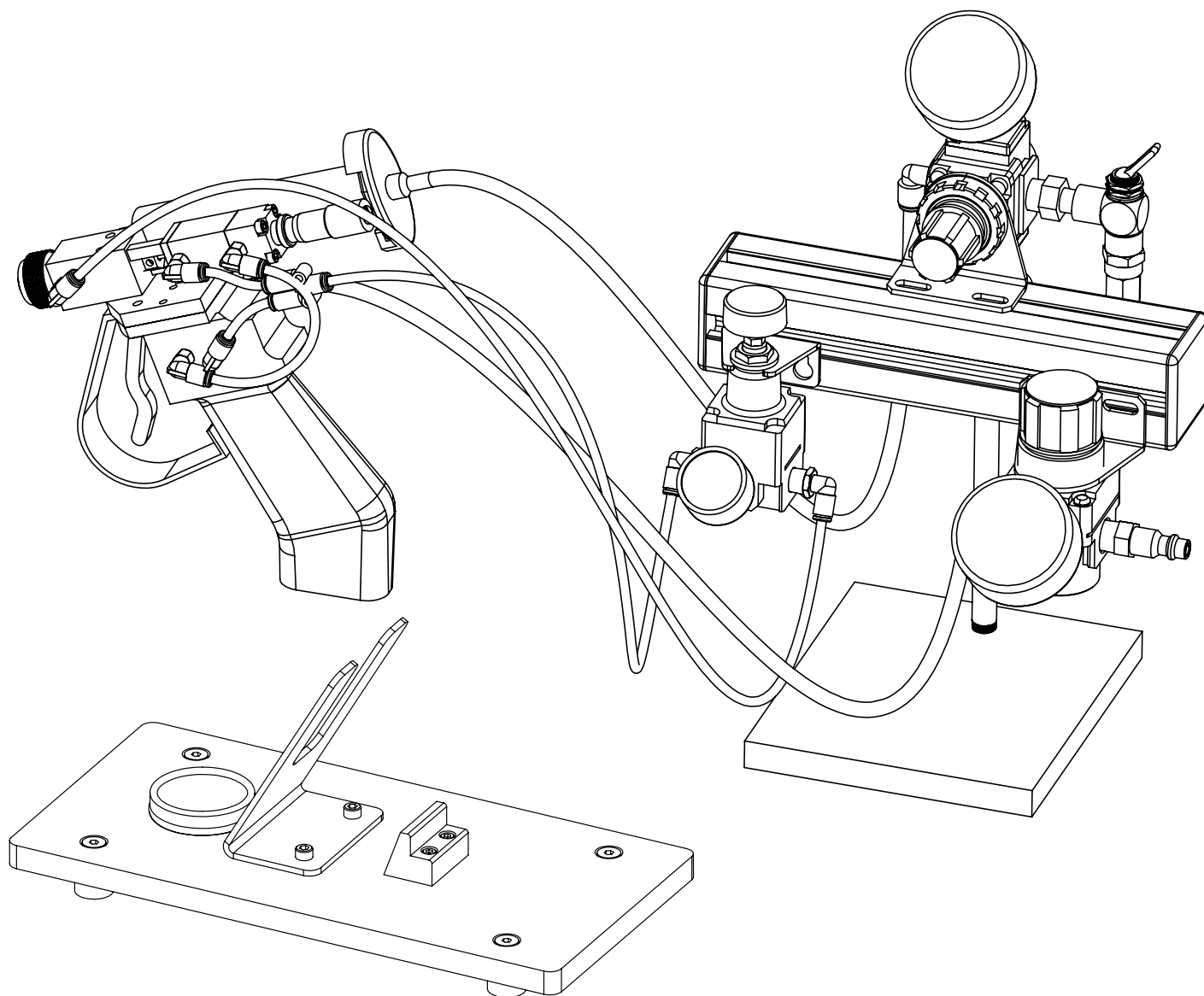
For more information, please contact PVA at info@pva.net or contact your local representative.



REV - 3/2024

Headquarters
6 Corporate Drive | Halfmoon, NY 12065
tel +1 518 371 2684 | fx +1 518 371 2688
www.pva.net | info@pva.net

System Assembly



System shown above includes optional PV106-S Valve Stand with solvent/purge cup.