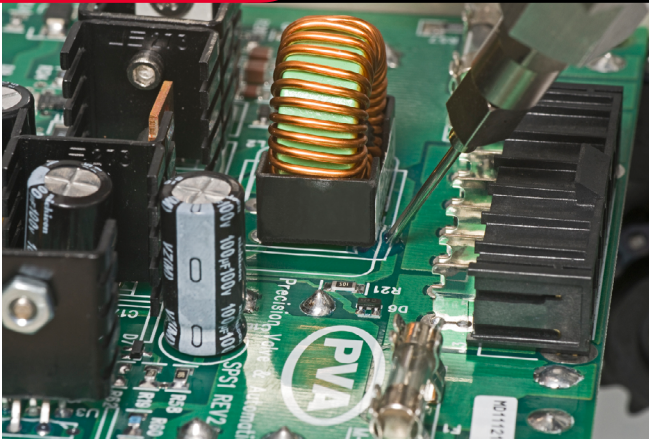




INNOVATION. PRECISION. EXCELLENCE.



System Specifications

Dispense Valves

FCS300-R
FC100

Spray Pattern Diameter (FCS300-R)

6.35 mm - 50.8 mm
(0.25 in - 2 in)

Dispense Outlet (FC100)

Luer lock adapter

Pressure Reservoir

PVA2G

Controllers

PV101 trigger handle

Fluid Viscosity Range

1 cps - 20,000 cps (self-leveling fluid)

Wetted Components

Stainless Steel, Teflon, Kalrez

Air

80 psi
(5.5 bar)

Optional Equipment

PV106-S valve stands with solvent/purge cups
FX800 fume extraction system



MCCS-SYS-1

Manual Conformal Coating System

This complete manual conformal system combines one FCS300 atomized spray valve to apply fluid over a large area and one FC100 needle style dispense valve for detailed application of beads close to keep out areas. Both applicator technologies are typically used in an automated conformal coating machines to achieve the best results. Each valve is mounted to a pneumatic trigger handle to independently activate the spray or dispense, making it easy for the operator to switch between application methods.

Supplied with a 2-gallon stainless steel pressure tank, compatible fluids can be poured into the tank through the oval opening in the lid, which will supply fluid to both valves.

Complete systems are supplied with all necessary fluid and air fittings and tubing (6 ft) to operate out of the box.

The MCCS-SYS-1 has many additional integrated features including:

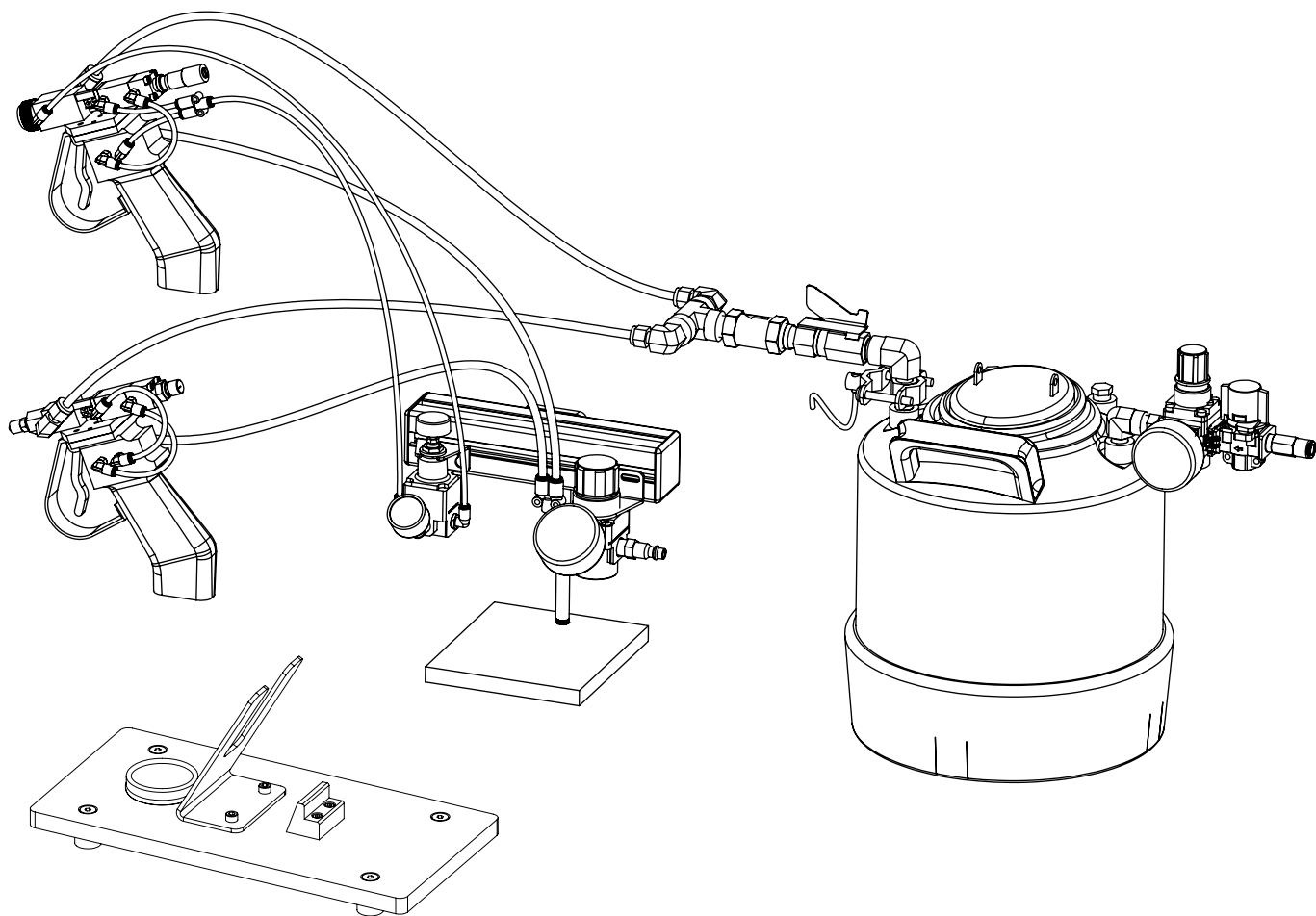
- Low volume, low pressure atomized spray valve for manual conformal coating of PCBs
- Dispense valve with outlet for luer lock needles
- Hand trigger activation

For more information, please contact PVA at info@pva.net or contact your local representative.

REV - 3/2024

Headquarters
6 Corporate Drive | Halfmoon, NY 12065
tel +1 518 371 2684 | fx +1 518 371 2688
www.pva.net | info@pva.net

System Assembly



System shown above includes optional PV106-S Valve Stand with solvent/purge cup.