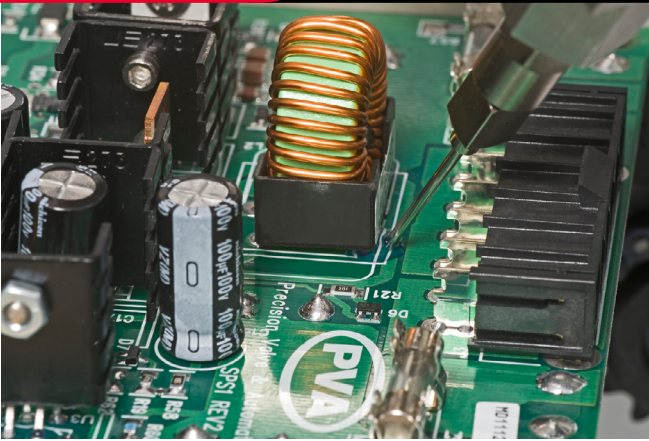




INNOVATION. PRECISION. EXCELLENCE.



## System Specifications

### Valves

FCS300-R  
CAM200

### Spray Pattern Diameter (FCS300-R)

6.35 mm - 50.8 mm  
(0.25 in - 2 in)

### Dispense Outlet (CAM200)

Luer lock adapter

### Pressure Tank

PVA-2LTUV

### Controller

PV101 for FCS300-R

### Fluid Viscosity Range

1 cps - 20,000 cps (self-leveling fluid)

### Wetted Components

Stainless Steel, Teflon, Kalrez, Delrin, Polyethylene

### Air

80 psi  
(5.5 bar)

### Optional Valve Stands

PV105-01 with solvent/purge cup for CAM200  
PV106-S with solvent/purge cup for FCS300



## MCCS-SYS-12

### Manual Conformal Coating System

This complete manual conformal system combines one FCS300-R atomized spray valve to apply fluid over a large area and one CAM200 lever activated diaphragm dispense valve for detailed application of beads close to keep out areas. Both applicator technologies are typically used in a selective conformal coating station to achieve the best results. The spray valve is mounted to a pneumatic trigger handle for independent activation of the spray or lever activated dispense valve, making it easy for the operator to switch between application methods.

Supplied with a 2-liter pressure tank, it can hold most industry standard 1 or 2-liter bottles, eliminating the need to pour fluid into a tank which can introduce moisture and air.

Complete systems are supplied with all necessary fluid and air fittings and tubing (6 ft) to operate out of the box.

The MCCS-SYS-12 has many additional integrated features including:

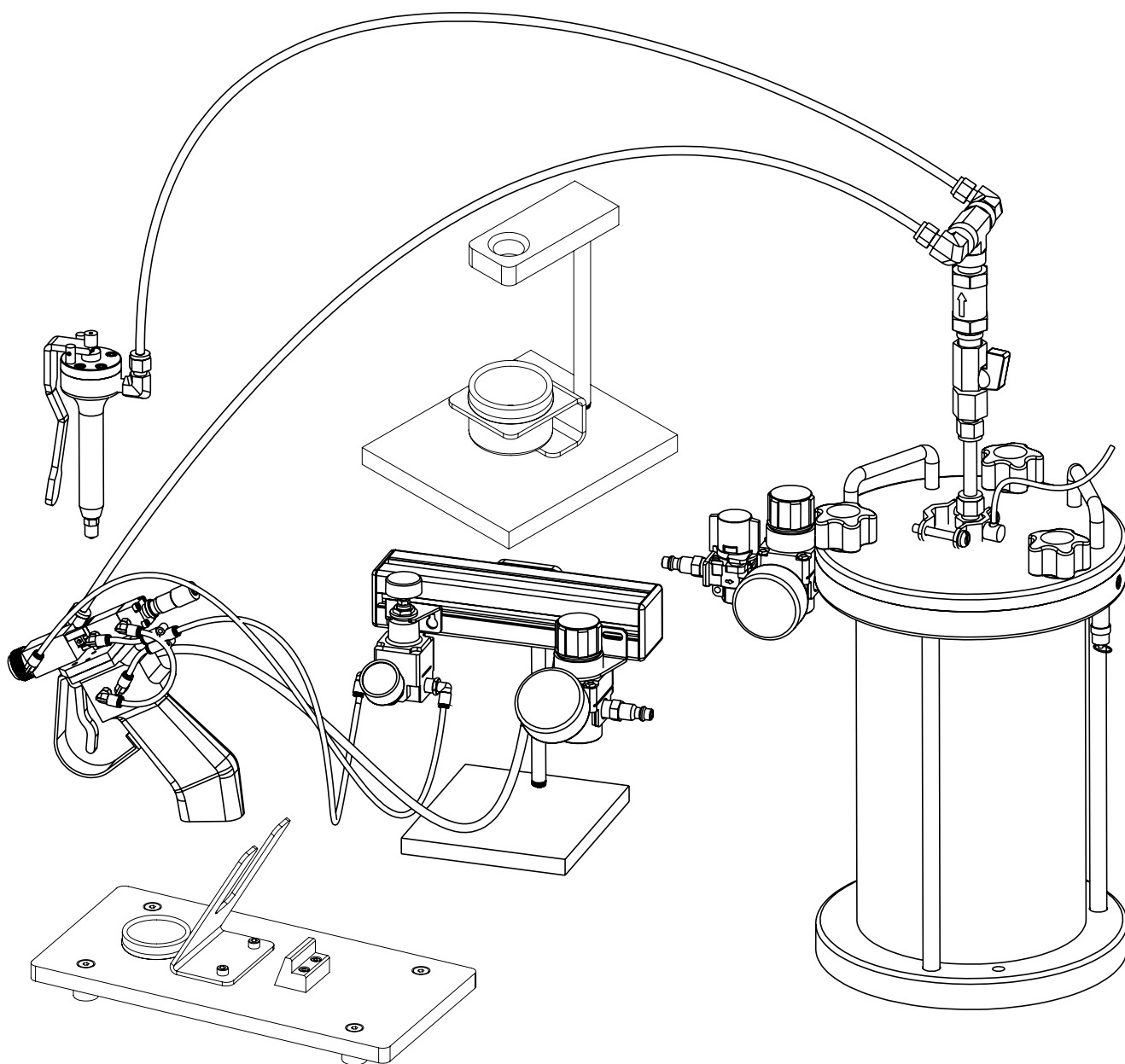
- Low volume, low pressure atomized spray valve for manual conformal coating of PCBs
- Hand trigger spray activation
- Dispense valve with luer lock outlet for needles

**For more information, please contact PVA at [info@pva.net](mailto:info@pva.net) or contact your local representative.**

REV - 3/2024

Headquarters  
6 Corporate Drive | Halfmoon, NY 12065  
tel +1 518 371 2684 | fx +1 518 371 2688  
[www.pva.net](http://www.pva.net) | [info@pva.net](mailto:info@pva.net)

# System Assembly



*System shown above includes optional PV106-S and PV105-01 Valve Stands with solvent/purge cups.*