



INNOVATION. **PRECISION.** EXCELLENCE.



## System Specifications

**Minimum Shot Size**  
0.1 ml

**Viscosity Range**  
1 - 1,000,000 cps

**Maximum Volume Shot**  
17 ml

**Maximum Flow Rate**  
2 ml/s

**Max Inlet Pressure**  
900 psi (62 bar)

**Volumetric Accuracy**  
3%

## MR1 Metered Piston Dispenser

The MR1 is a versatile servo-controlled piston dispenser for processing single component chemistries requiring a high level of dosing accuracy. Utilizing a volumetric displacement concept, the MR1 is capable of processing a wide range of chemistries, including viscous filled or abrasive materials, without concern for slight material changes from batch to batch or due to atmospheric conditions. This results in more accurate dispensing for chemistries that are difficult to process.

Utilizing a single piston system, the MR1 can process single-part materials up to 1 million cps. The servo-controlled metering chamber allows for easy alteration of the target shot size and flow rate in a package mounted directly at the application point.

PVA's MR1 Metered Piston Dispenser has many additional integrated features including:

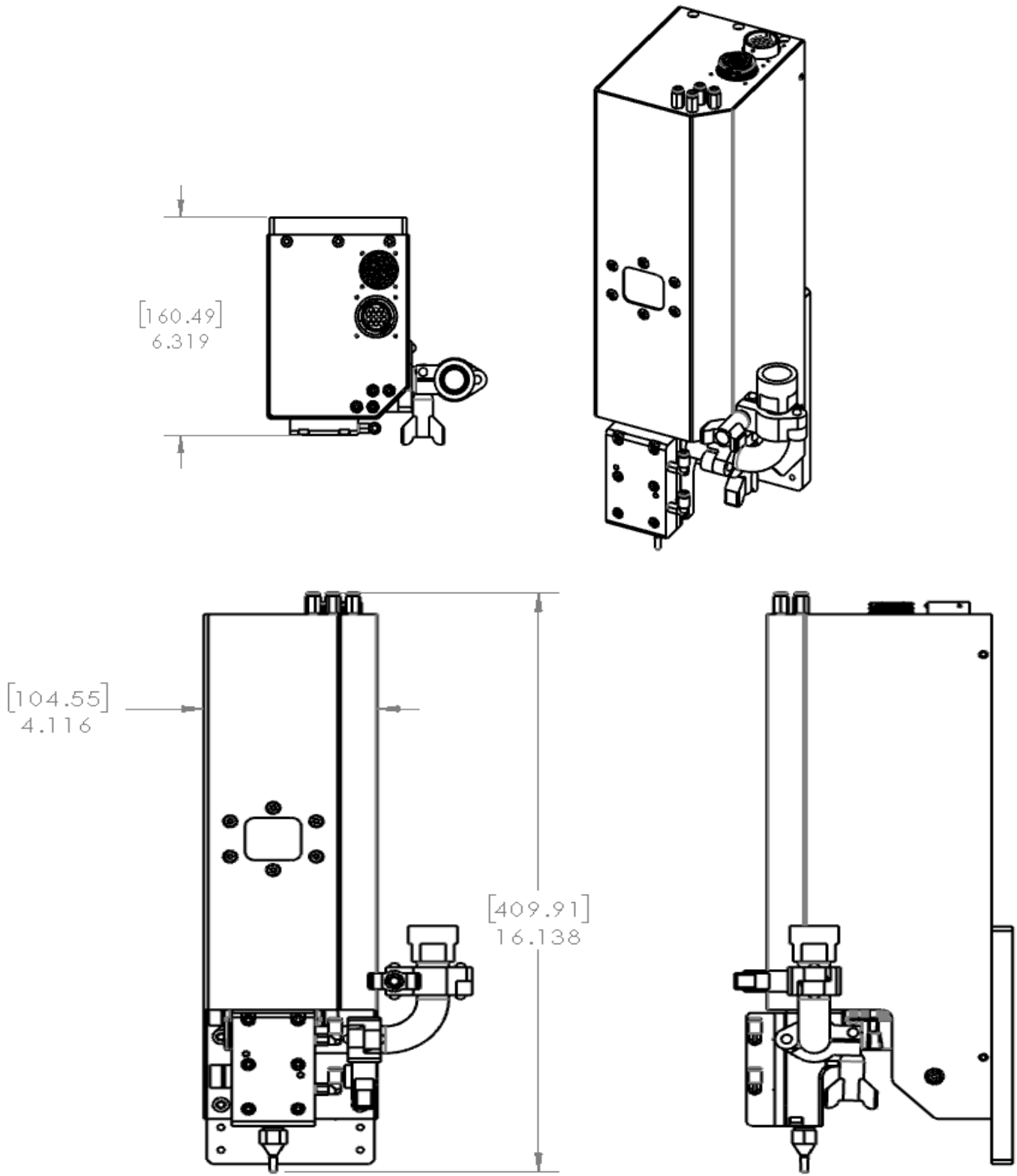
- Closed loop, servo-controlled output
- Carbide metering cylinder for extended service life
- Ease of maintenance with only a single replacement seal for inlet and outlet valves

**For more information, please contact PVA at [info@pva.net](mailto:info@pva.net) or contact your local representative.**



Headquarters  
6 Corporate Drive | Halfmoon, NY 12065  
tel +1 518 371 2684 | fx +1 518 371 2688  
[www.pva.net](http://www.pva.net) | [info@pva.net](mailto:info@pva.net)

# MR1 Mounting Dimensions



\*All measurements provided in millimeters and inches