



INNOVATION. **PRECISION.** EXCELLENCE.



Valve Specifications

Dimensions

160 mm x 19 mm x 19 mm
(6.30 in x 0.75 in x 0.75 in)

Weight

8 oz

Viscosity Range

1 cps – Paste

Operating Air Pressure

60 – 100 psi

Maximum Inlet Fluid Pressure

300 psi

Shot Size Range

0.0015 cc to 0.0120 cc

Wetted Components

Stainless Steel, Kalrez®, Teflon®

MV200

Positive Displacement Dispensing Valve

The MV200 is a true positive displacement metering valve capable of dispensing small deposits of material in a highly accurate process. The deposit volume is determined by the valve's stroke adjustment setting and is not affected by variations in viscosity or material pressure. The MV200 is compatible with all PVA automated platforms.

The MV200 has many integrated features including:

- 0.0015 cc to 0.0120 cc shot size
- Divorced valve design prevents material contamination of the air section•
- Inlet and outlet check valves provide precise metering of material
- Adjustable stroke permits shot size modification
- Stainless steel fluid section for optimum material compatibility
- Lightweight aluminum air section
- Custom mounting holes and bleeder configurations available

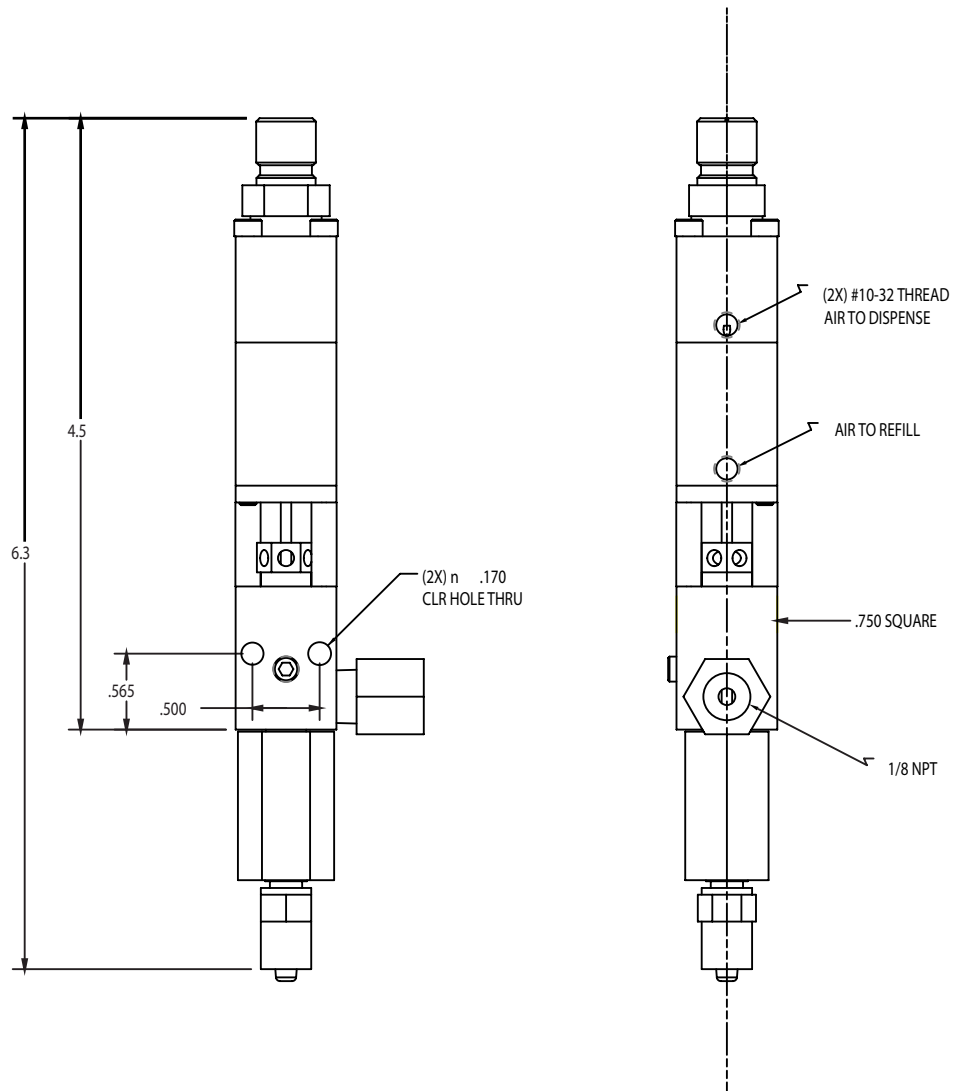
For more information, please contact PVA at info@pva.net or contact your local representative.



Teflon® and Kalrez® are registered trademarks of Dupont

Headquarters
6 Corporate Drive | Halfmoon, NY 12065
tel +1 518 371 2684 | fx +1 518 371 2688
www.pva.net | info@pva.net

MV200 Mounting Dimensions



**All dimensions provided in inches.*