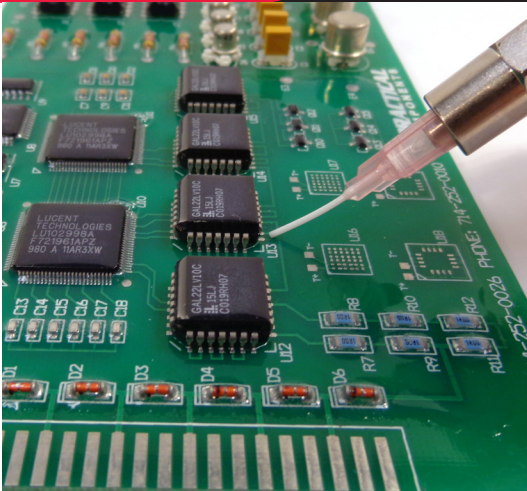








INNOVATION. **PRECISION.** EXCELLENCE.

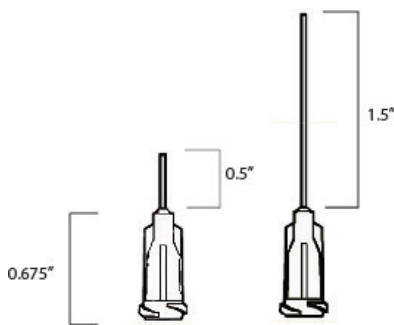


R Series Flexible Needles Plastic Hub with Polypropylene Canula

PVA's disposable dispense needles feature a double helix threaded polypropylene luer lock hub with bonded flexible polypropylene canula. The luer lock hubs are color coded for gauge sizes and the soft flexible polypropylene canulas can be used in applications requiring a scratch free surface or can be easily cut to a specific length.



Needle Color Chart					
		Inside Diameter		Outside Diameter	
Color	Gauge	in	mm	in	mm
	15	0.0532	1.35	0.0709	1.80
	18	0.0331	0.84	0.0500	1.27
	20	0.0236	0.60	0.0358	0.91
	25	0.0102	0.26	0.0201	0.51



Free Flow - 50 Piece Box		
	½" Length	1½" Length
Gauge	Part Number	Part Number
15	PV-15P-0.5X	PV-15P-1.5X
18	PV-18P-0.5X	PV-18P-1.5X
20	PV-20P-0.5X	PV-20P-1.5X
25	PV-25P-0.5X	PV-25P-1.5X

Headquarters
6 Corporate Drive | Halfmoon, NY 12065
tel +1 518 371 2684 | fx +1 518 371 2688
www.pva.net | info@pva.net